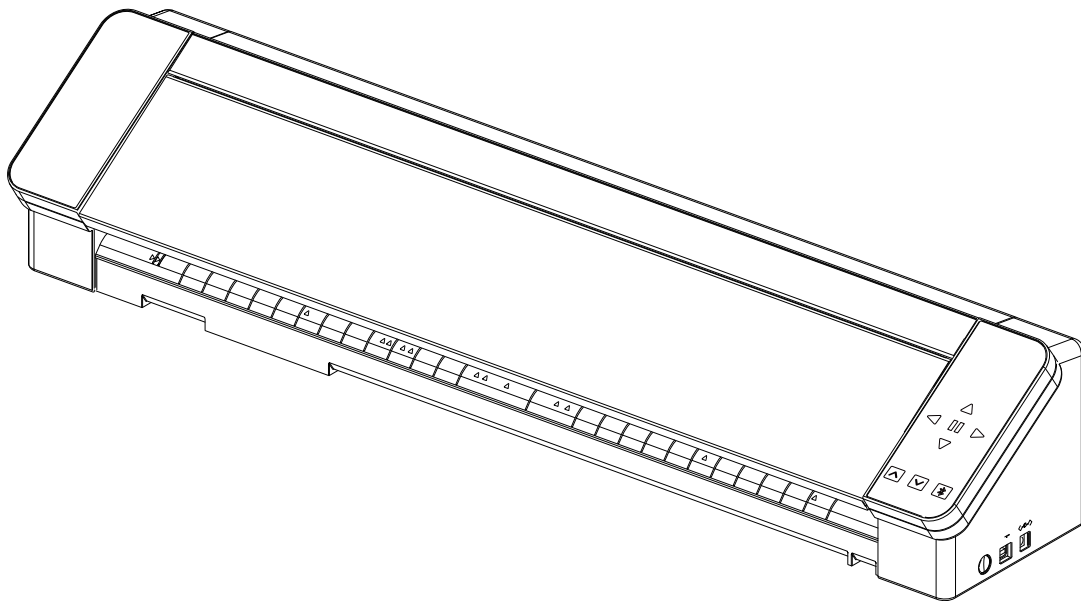


Silhouette Cutting machine
User's Manual

CAMEO PRO MK II

MANUAL NO. CAMEO PRO MK-II-UM-151



Preface

Thank you for choosing Silhouette CAMEO PRO MK-II.

Silhouette CAMEO PRO MK-II is a cutting machine suitable for cutting the following sizes (width): 5 in., A4, Letter, 9 in., 8.5-in. mat, A3, 12 in., 12-in. mat, 15 in., and 15-in. Mat, 20 in., 24 in., and 24-in. mat..

In addition to cutting films, craft papers, and iron-print sheets, the machine can easily cut various materials.

To ensure safe and correct use, be sure to read this User's Manual thoroughly prior to use.

After reading, please keep this manual in a safe place where you can find it at any time.

About the display screen

- The Silhouette Studio screens use the display screens that appear when Silhouette CAMEO PRO MK-II is connected to a Windows environment. The displayed content varies depending on the connected PC environment. In addition, some of the display screens may be subject to change with a software upgrade.

Contents

Preface.....2

About the display screen.....2

Before using this machine, please read this manual. . 6

Handling Precautions.....6

Available functions.....7

Size of the media that can be loaded.....7

Cut images.....9

Intelligent Path Technology.....10

Additional Accessory.....11

Silhouette Auto Sheet Feeder (ASF)..... 11

Heat pen..... 11

Pen Holder (Type C)..... 11

Embossing Tool..... 11

Silhouette Stand..... 11

01 Preparation.....12

Checking the contents of the package.....12

Removing packaging materials from the machine.....13

Name and functions of each component.....15

 Silhouette CAMEO PRO MK-II.....15

 Operations.....17

 Roll feeder and media support.....17

Create an account.....19

 Create your Silhouette account.....19

 Register the Machine.....21

Install the software (Silhouette Studio)..... 25

- Supported OS..... 25
 - For Windows 25
 - For Mac 25
- Check the connection with Silhouette CAMEO PRO MK-II 26
 - Connect with Bluetooth 26
 - Connect with the USB cable 28
- Obtain contents..... 29
 - Check the free contents..... 29
 - Use trial subscription in Silhouette Design Store 31
 - Confirm activation..... 35
 - Confirm credit 36
- Launch software 36
 - For Windows 36
 - For Mac 36
- Name and functions of each component..... 37
- About the STORE tab (Silhouette Design Store) 39
- Configuring the cutting conditions 40
 - Descriptions of each setting item 40
 - Guideline for blade depth and media materials 42
 - AutoBlade indicator scale 42
 - About the Intelligent Path Technology 42
 - Auto cross-cutting 43
 - Repeat Job function 45

02 How to use 46

- Perform test cut..... 46
 - Guideline for blade depth 46
- Using a cutting mat..... 46
- Cutting with an AutoBlade 47
 - Changing the Pinch Roller Unit position..... 47
 - If using roll paper..... 48
 - Roll feeder assembly..... 48
 - Loading roll paper 49
 - If using cutting paper and a cutting mat 50
 - Media support assembly..... 50
 - Loading cutting paper and cutting mat (8.5 in., 12 in., 15 in.) 52

- Load the included 24 inch-cutting mat53
- Load media 54
 - If loading automatically 54
 - If loading manually 58
- Setting the AutoBlade.....61
 - Silhouette sketch adapter 63
- Workflow from simple designing to cutting 64
 - Creating cutting data using figures and texts 64
 - Cutting created data 65
 - About Crosscutter use 66
- Basic workflow of printing and cutting.....67
 - Using the Drawing Tool to create cut lines67
 - Using the auto trace function 69
 - Loading and tracing an image file 70

03 Troubleshooting 72

- Unable to load the media properly73
 - The media does not enter properly, and they bend and warp.....73
- Unable to feed the media properly74
 - The media move obliquely in the machine during cutting.....74
 - The media slip out of the Pinch Roller75
- Unable to cut properly76
 - The film peels off during cutting76
 - The start and end of the cutting operation are misaligned 79
 - When media are stuck..... 80
 - The media are cut too much.....81
- Firmware update 82

Information..... 83

- Notes on this Manual..... 83
- Registered Trademarks 83
- Copyright 83

Before using this machine, please read this manual.

Handling Precautions

To use the product correctly, as well as to obtain better cutting results, be sure to read the following points thoroughly before use.

Note

- To avoid bodily injury, handle blades with care.
- Physical damage to a new machine caused by customers will not be covered by the warranty, so unfortunately, we cannot offer you a product replacement.

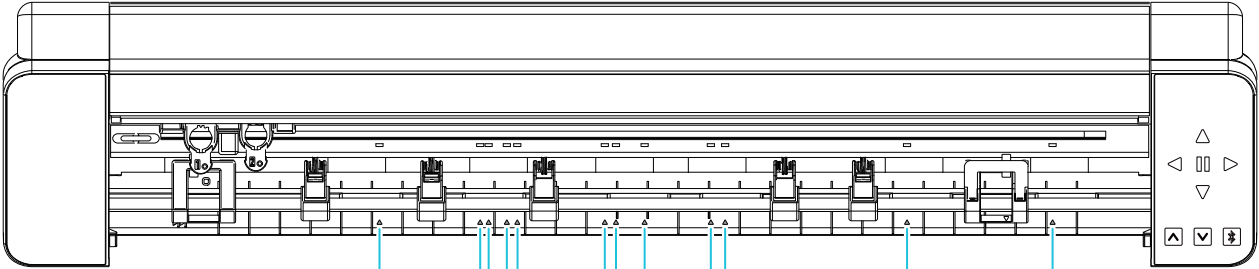
Available functions

Size of the media that can be loaded

The following media sizes can be loaded for Silhouette CAMEO PRO MK-II.

- 5 in., A4, Letter, 9 in., A3, 12 in., 15 in., 20 in., 24 in.
- Cutting mat (8.5 in. width, 12 in. width, 15 in. width, 24 in. width)

For media of non-standard size and without a release paper, paste them on the cutting mat before loading.

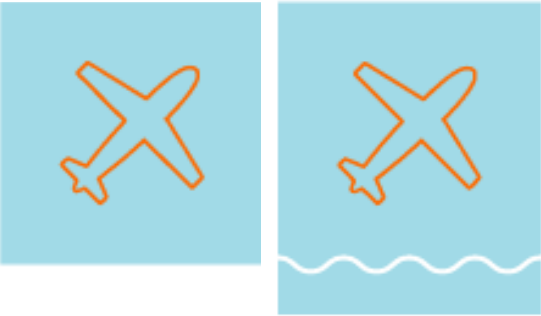
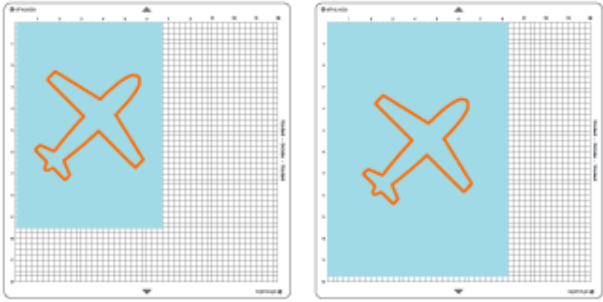


- 1
- 2
- 3
- 4
- 5
- 6
- 7
- 8
- 9
- 10
- 11
- 12

1. 5 in.
2. A4
3. Letter
4. 9 in.
5. 8.5-inch cutting mat
6. A3
7. 12 in.
8. 12-inch cutting mat
9. 15-inch cutting mat
10. 15 in.
11. 20 in.
12. 24 in., 24 inch-cutting mat

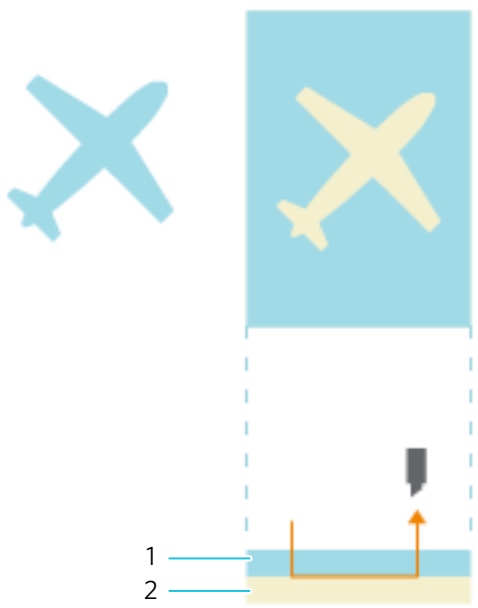
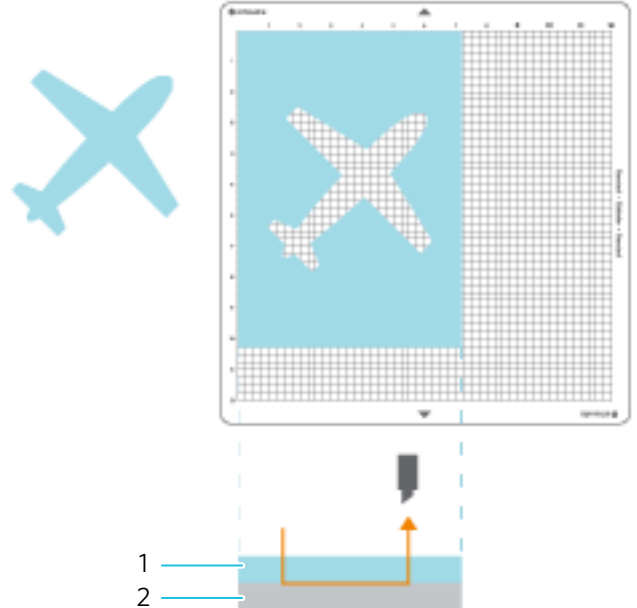
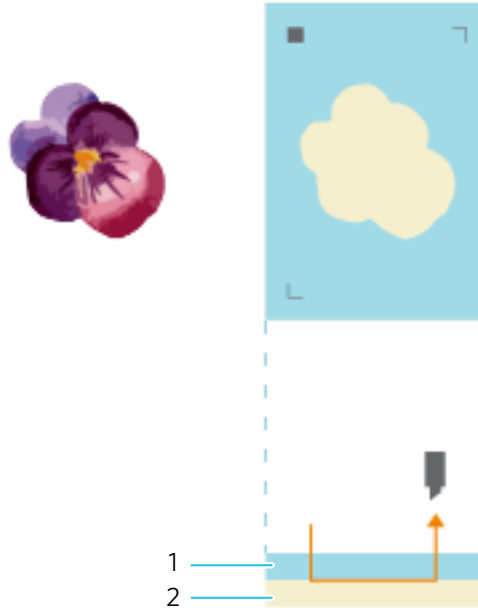
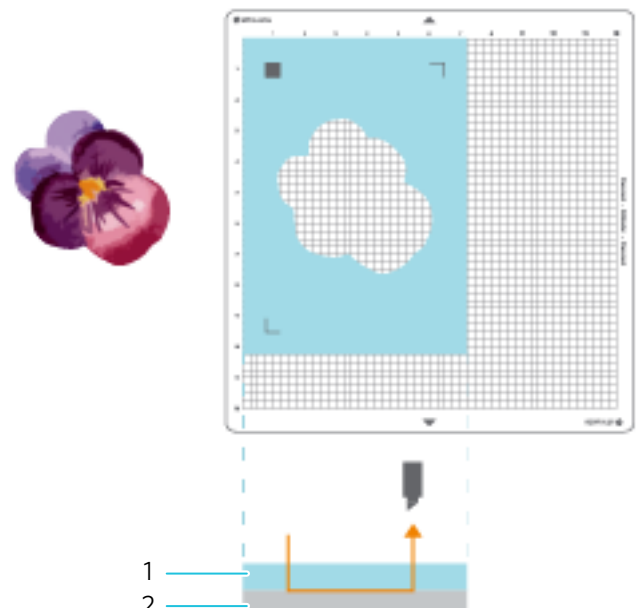
Standard-sized media with a release paper can be loaded directly.

Load media of non-standard size and those without a release paper using the cutting mat.

Cutting mat: Not used	Cutting mat: Used
	
<ul style="list-style-type: none">Standard size (width): A4, Letter, A3, 12 in., 15 in., 20 in., 24 in.Roll media size (width): 12 in., 15 in., 20 in., 24 in.	<ul style="list-style-type: none">Supported cutting mat: maximum: 24 in. x 24 in.

Cut images

The following cut images can be created from Silhouette CAMEO PRO MK-II.

<p>Half-cut Cut the top media. Do not cut the release paper.</p>	<p>Die cut (cut out) Cut all media. Do not cut the mat.</p>
 <p>1. Paper 2. Release paper</p>	 <p>1. Paper 2. Cutting mat</p>
<p>Print and cut - Half-cut Cut the top media. Do not cut the release paper.</p>	<p>Print and cut - Cut out Cut all media. Do not cut the mat.</p>
 <p>1. Paper 2. Release paper</p>	 <p>1. Paper 2. Cutting mat</p>

Intelligent Path Technology

The Intelligent Path Technology function offers specialized cutting options, such as controlling the cutting order automatically.

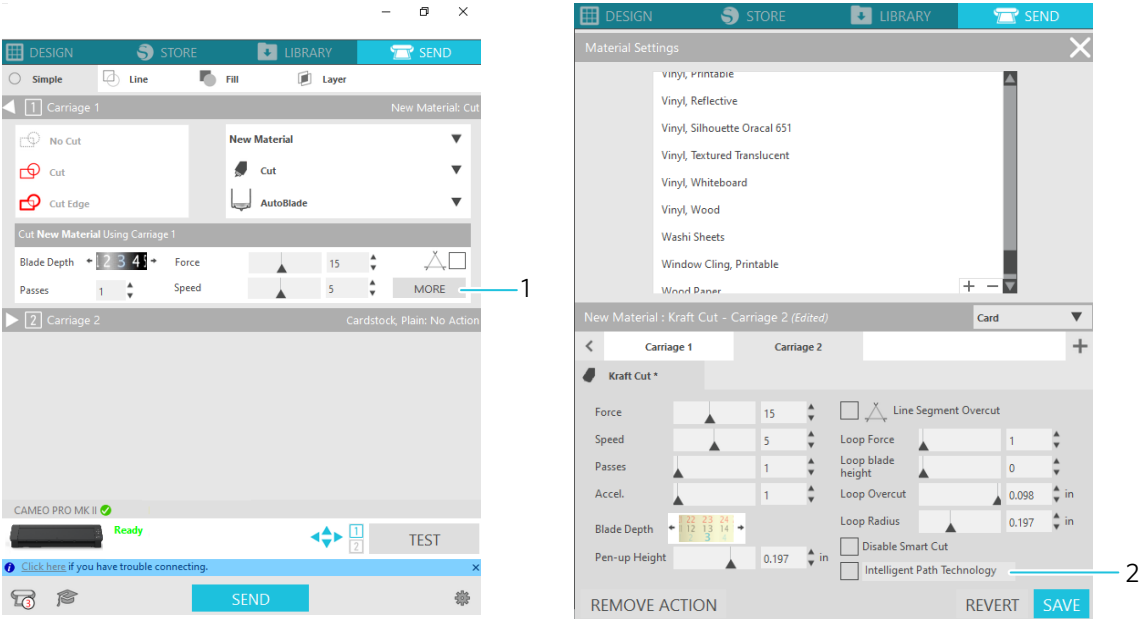
This allows users to prevent the media from shifting while cutting.

There is tension in the material when cutting media (mainly paper) using the blade.

If the media to be cut are not fixed firmly, depending on the cutting order, this tension may cause the media to shift or rip thin papers.

Since paper shift is less likely to occur, users can stack and cut multiple sheets of paper or cut thin papers more beautifully than normally.

* This can be used to select the Silhouette Studio check box.

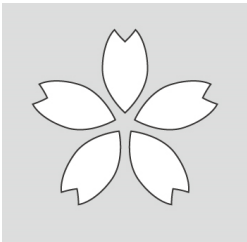


1. More
2. Intelligent Path Technology

For example, this function is effective for cutting multiple sheets for the following design.

⚠ Note

The Intelligent Path Technology function is not guaranteed in all cases.



🗨 Additional information

In addition, this function is effective when cutting the following data.

- When cutting complicated designs
- When cutting sharp angles
- When the adhesive comes off easily, such as sealing materials

Additional Accessory

This section describes the Additional Accessory that can be used with this product.

Silhouette Auto Sheet Feeder (ASF)

Simplifies work since the feeding to ejection processes after cutting will be performed automatically and up to 20 sheets of paper can be set. Additionally, using the barcode function enables you to cut various designs as a batch.

* Supported sizes include FEEDER-LETTER that supports A4 and letter size as well as FEEDER-A3PLUS that supports A4, Letter, A3, Super A3, and 12 x 12 in.

For details, refer to <https://www.silhouetteamerica.com/sheet-feeder-letter>, <https://www.silhouetteamerica.com/sheet-feeder-a3plus>.

Heat pen

This tool is used to transfer foil to the media. For details, refer to the "Heat Pen" supplies manual.

Pen Holder (Type C)

This adapter can be attached to Tool Holder 2. The Pen Adapter allows cutting and writing with the pen at the same time. Used when using ballpoint pens (8 mm - 12 mm in diameter).

Embossing Tool

Embossing can be done on the media. For details, refer to the "Embossing Tool" supplies manual.

* To use the Embossing Tool, a separately sold Embossing Mat - 12 in. x 12 in. is needed.

Silhouette Stand

Stable media feeding enables support for roll media of approximately 5 m, making it possible to effectively cut large posters and so on. Additionally, aligning roll media guides with the machine media guides prevents media from slanting.

For details, refer to the "Silhouette Stand" supplies manual.

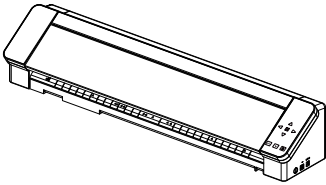
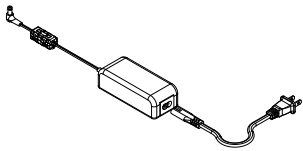
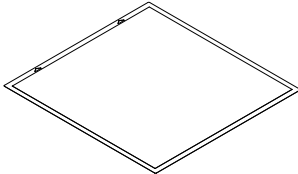
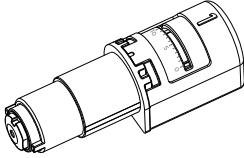
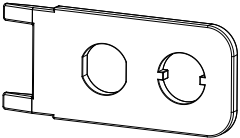
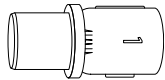
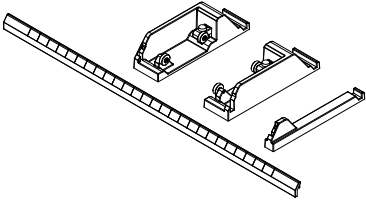
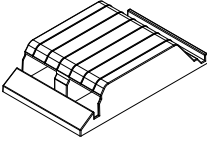
01 Preparation

Checking the contents of the package

The Silhouette CAMEO PRO MK-II come with accessories shown in the following list.

Make sure all the accessories are included when unpacking.

If any item is missing, promptly contact the distributor where you purchased it or Silhouette America Customer Center.

<input checked="" type="checkbox"/> Silhouette CAMEO PRO MK-II 	<input checked="" type="checkbox"/> AC adapter and power cable set 
<input checked="" type="checkbox"/> 24 inch-cutting mat 	<input checked="" type="checkbox"/> AutoBlade 
<input checked="" type="checkbox"/> Hand-held blade adjuster 	<input checked="" type="checkbox"/> Silhouette sketch pens adapter (blue) 
<input checked="" type="checkbox"/> Roll feeder 	<input checked="" type="checkbox"/> Media support 

Removing packaging materials from the machine

There are strips of tape and cushions to hold the moving parts of Silhouette CAMEO PRO MK-II in place during shipment and prevent any damage to the machine.

Remove all of the packaging materials (strips of tape and cushions).

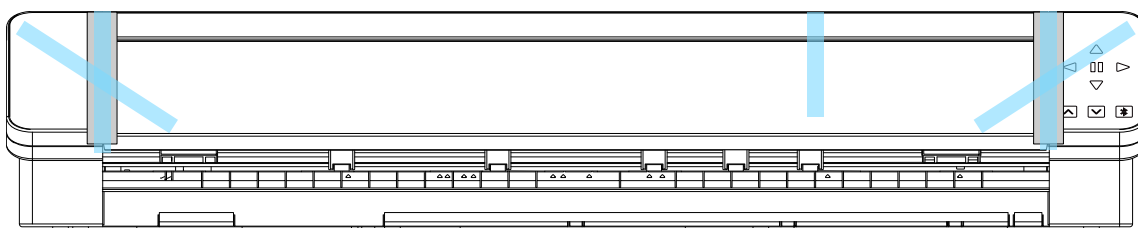
- 1 Remove the machine from the box.

Note

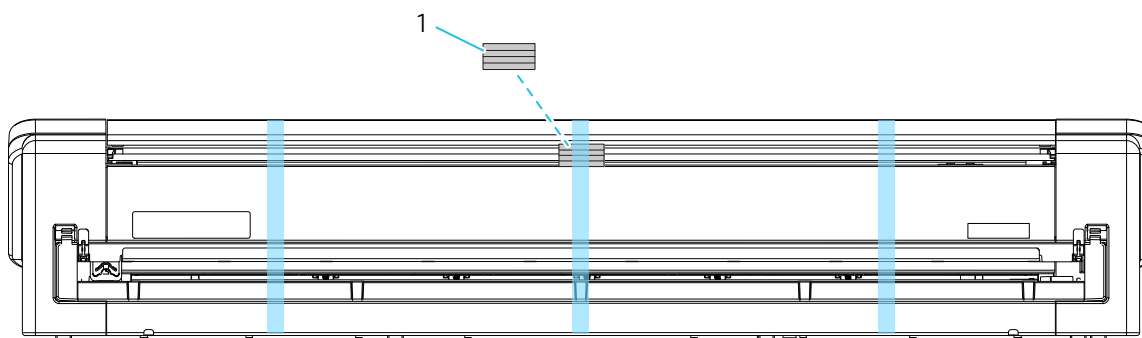
Silhouette CAMEO PRO MARK II alone weighs approximately 9 kg. Open the package on a sturdy surface and have multiple workers perform the work depending on the situation. Attempting to work on unstable ground can cause the machine to fall and damage the machine or cause serious injury to personnel.

- 2 Remove the strips of (blue) tape that hold the parts in place and the cushion (1) on the back of the machine .

Silhouette CAMEO PRO MK-II front

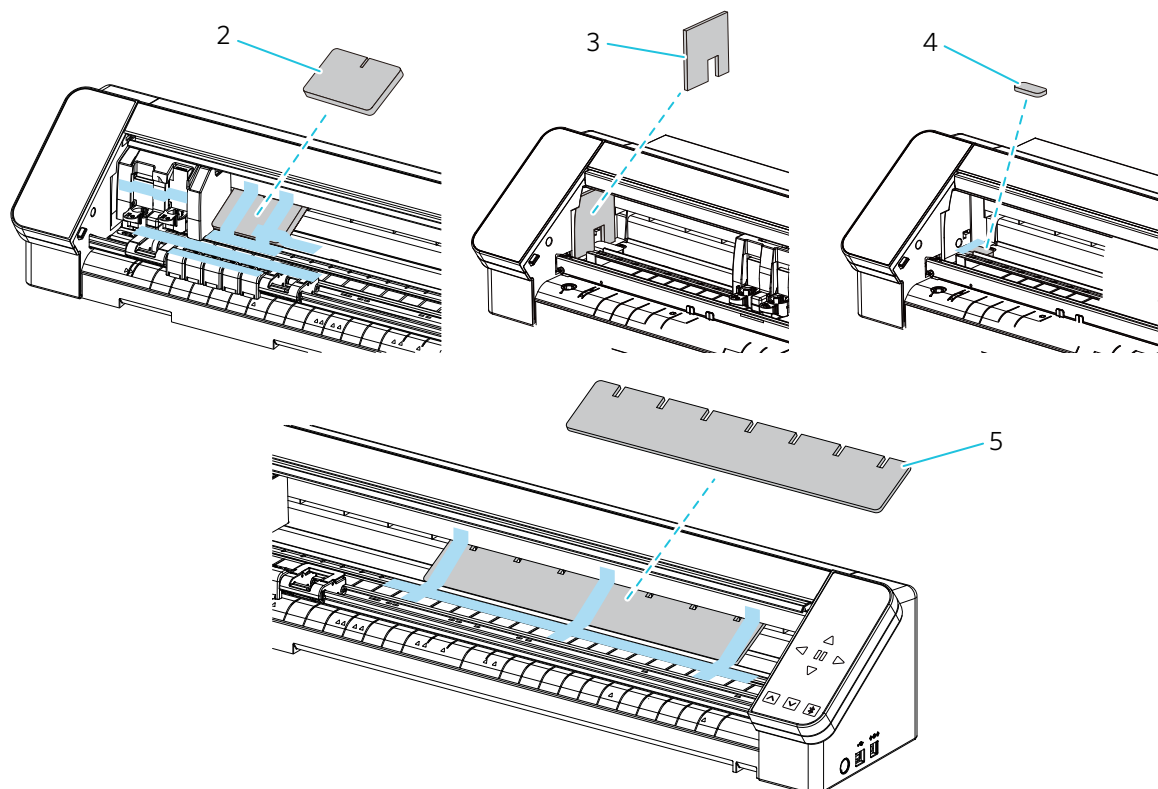


Silhouette CAMEO PRO MK-II back



1. Cushion (1)

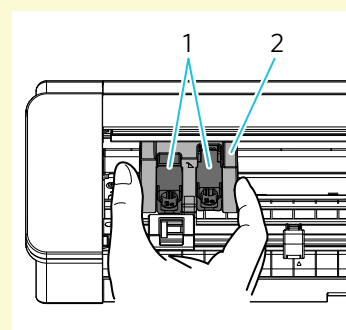
- 3** Remove the strips of (blue) tape and cushions (4 pieces) that hold the Tool Carriage in place. After removing cushion (2), move the Tool Carriage slightly to the right, and remove the remaining cushions (3), (4) and (5).



2. Cushion (2)
3. Cushion (3)
4. Cushion (4)
5. Cushion (5)

! Note

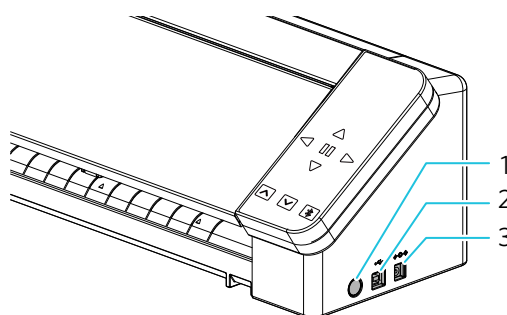
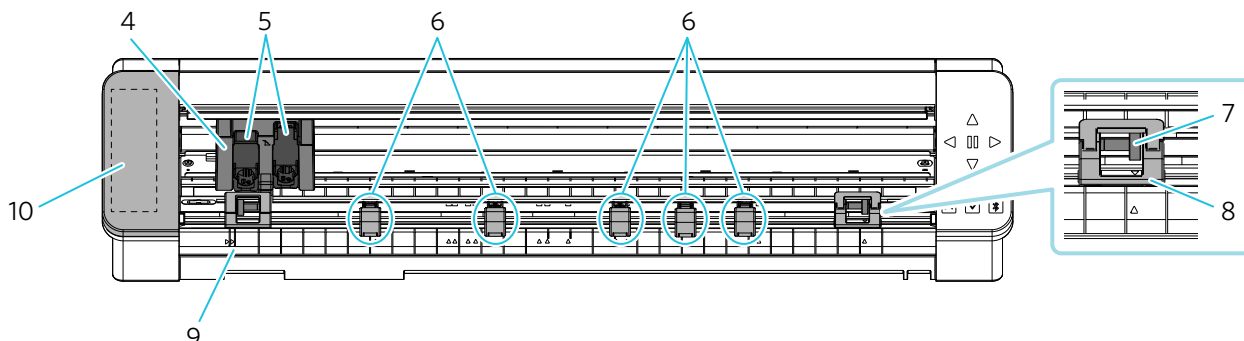
When manually moving the Tool Carriage, do not hold the Tool Holder with your hand. Turn off the power, hold the part shown on the right, and move it slowly. Moving it too fast may cause a malfunction.



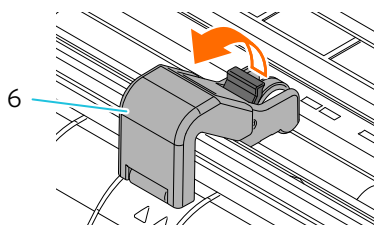
1. Tool Holder
2. Tool Carriage

Name and functions of each component

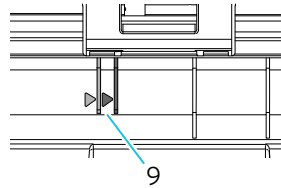
Silhouette CAMEO PRO MK-II



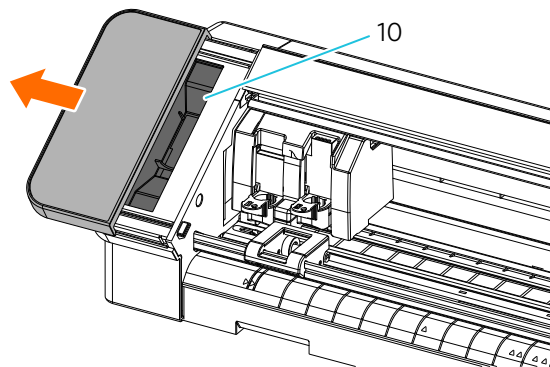
- | | | |
|---|-----------------------|--|
| 1 | Power Button | : Switches the power on or off.
Press the button for more than 2 seconds to turn it on. |
| | Emergency Stop Button | : When the Power Button is pressed during the cutting operation, the operation stops immediately. |
| 2 | USB Interface | : Used to connect the machine to the computer with a USB Interface cable. |
| 3 | Power Connector | : Connects the AC adapter. |
| 4 | Tool Carriage | : Part to move the tool to the left and right. |
| 5 | Tool Holder | : A holder to place tools, such as the AutoBlade or specialty tools.
Place the AutoBlade in Tool holder 1 and specialty tools* in Tool holder 2.
* Specialty Tool: Pen holder (Type C) for heat pens and ballpoint pens (8 mm - 12 mm in diameter) that require power |
| 6 | Auxiliary Roller | : Holds the media down to prevent it from warping. The auxiliary roller can be adjusted freely depending on the media size. We recommend positioning the auxiliary rollers so that their left-right spacing are almost even taking account into the width of the loaded media.
Additionally, there are 5 auxiliary rollers in total and can all be removed. Pull the lever and remove it. |



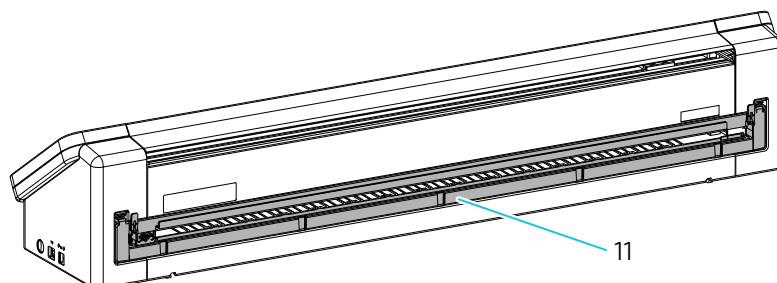
- 7 Pinch Roller : Roller to feed the media.
- 8 Pinch Roller Unit : Roller unit to feed the media. The pinch roller unit on the right side determines the position based on the media size, lowers the lever, and secures it.
- 9 Guiding Line : Guiding line to align the left side of the media or cutting mat.
Align to the Guiding Line on the inner side:
If you are using the (8.5 in., 12 in., 15 in.) cutting mat, align it with the inner Guiding Line and load it.
Align to the Guiding Line on the outer side:
If you are using the Included 24 inch-cutting mat.



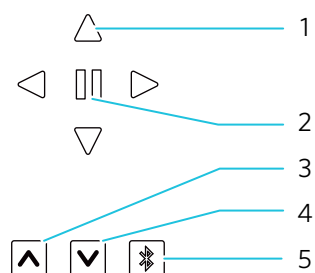
- 10 Accessory Case : There is a cover that can be slid on the left side of the machine. An accessory case is installed underneath it.
Tools can be stored here when not in use.
The cover can be opened by sliding it to the left.
Close the cover by sliding it to the right.



- 11 Crosscutter Unit : Used when cutting the cut design from the media. Available for use only when not using the cutting mat.



Operations

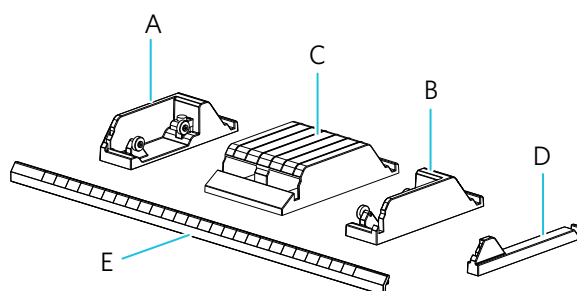


- 1 Position Key : Used to move the Tool Carriage and media position.
Press and hold down the key to move the Tool Carriage faster.
- 2 Pause Button : Used to pause/resume cutting operation.
If you want to cancel the paused cutting operation, press and hold the Pause Button.
- 3 Media Load Button : Used to load the media or cancel the media loading preparation state.
Once the data is cut, the media removal button flashes. At this time, you can execute Repeat Job by long-pressing the button for more than 3 seconds.
* For more information, refer to "[Repeat Job function](#)".
- 4 Media Removal Button: Removes the media.
- 5 Bluetooth Button : Switches the Bluetooth on or off.
When the Bluetooth connection is established, this button flashes in blue to indicate on (connection available) and lights in white when off.

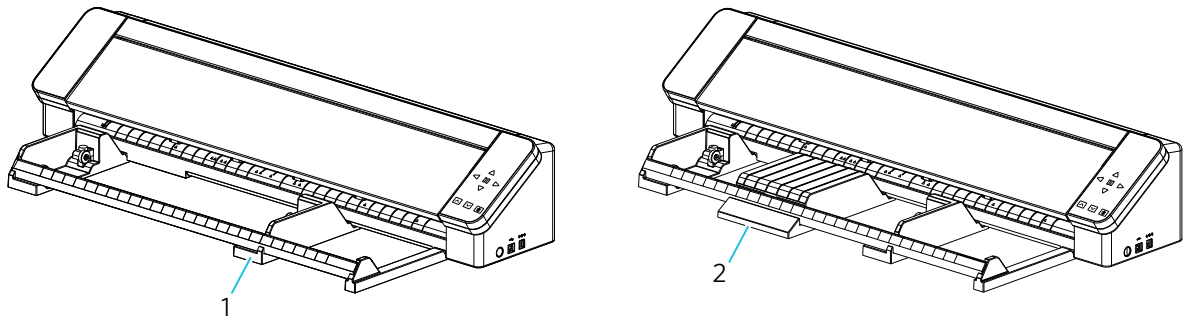
Roll feeder and media support

Assemble this with the machine if you load roll paper or use the cutting paper or cutting mat.

For details on attaching the Roll Feeder, refer to "[Loading roll paper](#)" in "[Cutting with an AutoBlade](#)".



- A. Left tray part
- B. Roll Feeder part
- C. Media support part
- D. Right tray part
- E. Connector part



1. Roll Feeder
(used to load roll paper)
2. Media support
(used to load cutting paper and cutting mats)

Create an account

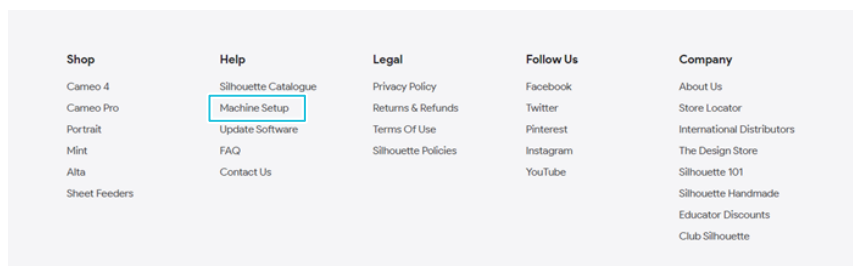
Create your Silhouette account

You can create your Silhouette account for free.

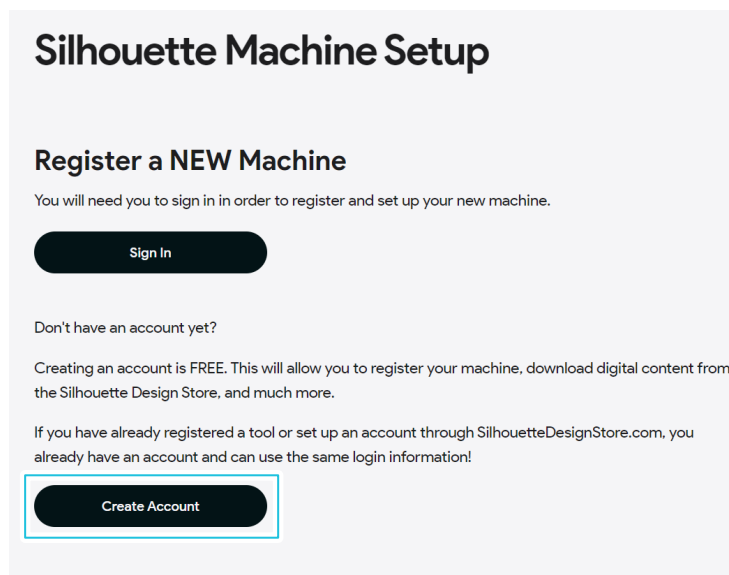
A Silhouette account allows you to register the Silhouette machine, and you can use the same account on SilhouetteAmerica.com, SilhouetteDesignStore.com, and as a shared account for the Silhouette Studio library.

1 Access the Silhouette America.com website from a browser.
<https://www.silhouetteamerica.com>

2 Click "Machine Setup" at the bottom of the page.



3 Click "CREATE ACCOUNT".



- 4** Enter your account information.
 Enter your name, email address, email address (retype), password, password (retype), language, currency, and timezone.
 If you do not want to receive newsletters (English) from Silhouette, unselect the check box of "Send me newsletters..."
 Select the check boxes of "I agree to the privacy policy", "I agree to the Terms & Conditions", and "I am over the age of 13".

Note

The following criteria must be met when entering your password.
 If you see a red x mark when entering your password, please change or reset the password.

- The password must be at least 8 characters in length.
- The password must include at least 3 types of characters including lowercase letters, uppercase letters, numbers, and special characters.

Create account

Or [sign in to your account](#)

1 First name

2 Last name

3 Email

4 Password

5 Confirm Password

1. Name
2. Surname
3. Email address
4. Password
5. Confirm password

Check

If there is a problem with your password, you will see a red x mark on the right.
 In such a case, review and re-enter your password.
 If there is no problem with the password, a green check mark will appear in the password field.

- 5** A registration confirmation email will be sent to the registered email address. Click on the link on the email to complete the machine registration.

Note

You will need to click the link on this email in order to verify and activate your account. If you do not activate your account, you will not be able to register the machine or access the Silhouette Design Store.

Register the Machine

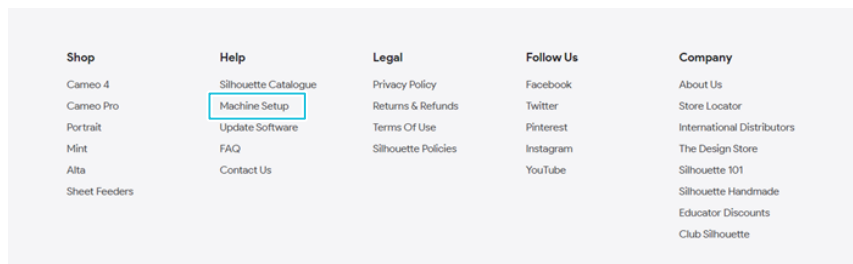
The Silhouette account can be used to register your Silhouette CAMEO PRO MK-II machine.

If your machine is registered, the following services are available.

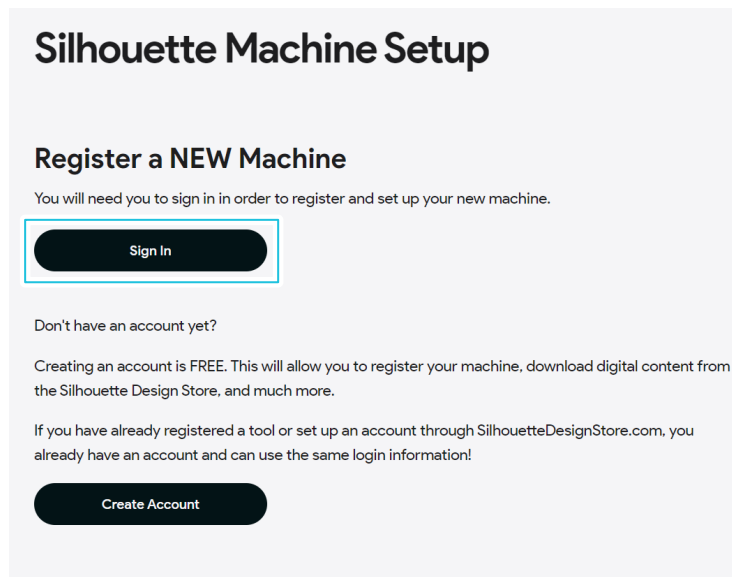
- You can download 100 designs included with the Silhouette Library for free.
- A one-month trial subscription is available to download contents from the Silhouette Design Store free of charge.
 - * Please note that the upper limit for the download may change under the trial subscription.

- 1** Access the Silhouette America.com website from a browser.
<https://www.silhouetteamerica.com>

- 2** Click "Machine Setup" at the bottom of the page.



3 Click "Sign In".



Silhouette Machine Setup

Register a NEW Machine

You will need you to sign in in order to register and set up your new machine.

[Sign In](#)

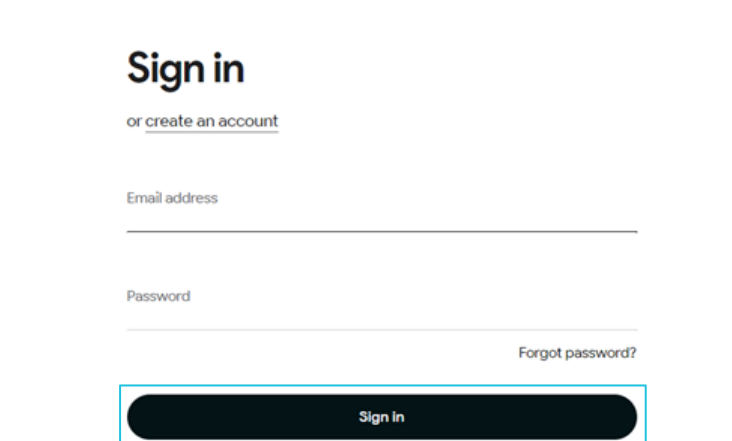
Don't have an account yet?

Creating an account is FREE. This will allow you to register your machine, download digital content from the Silhouette Design Store, and much more.

If you have already registered a tool or set up an account through SilhouetteDesignStore.com, you already have an account and can use the same login information!

[Create Account](#)

4 Enter the registered email address and password for your Silhouette account and then sign in.



Sign in

[or create an account](#)

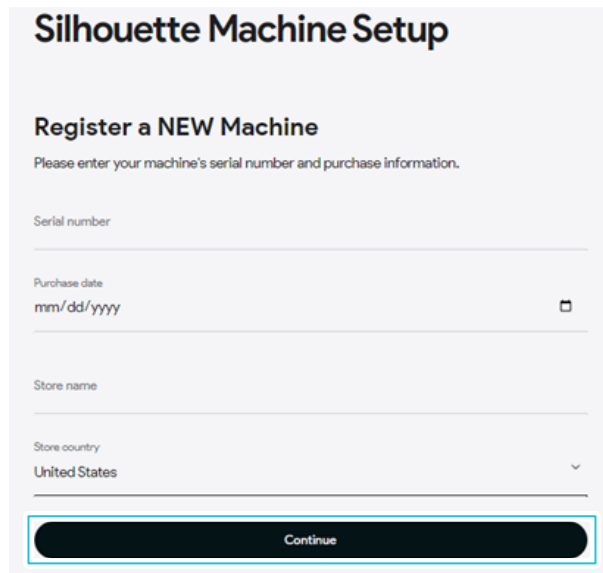
Email address

Password

[Forgot password?](#)

[Sign In](#)

- 5** Enter the required information and click the "Continue" button.
The serial number is marked on a sticker on the back of the machine as an 11-digit number starting with an alphabet.
* Depending on the web browser, you may be required to click "✓" to confirm after selecting.



Silhouette Machine Setup

Register a NEW Machine

Please enter your machine's serial number and purchase information.

Serial number

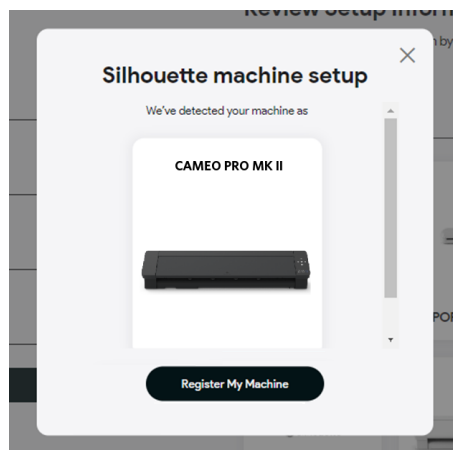
Purchase date
mm/dd/yyyy

Store name

Store country
United States

Continue

- 6** Check the model to be registered and click "Register My Machine".



- 7 Select the country where you live from the country pull-down list, and enter your address information before clicking the "Save and continue" button.

- 8 Once you register the machine, confirm the warranty information.

Congratulations! Your Silhouette Cameo Pro MK II is now registered.

Warranty Information

The Silhouette hardware has a one year limited warranty*. The hardware warranty specifically covers issues relating to the Silhouette machine, power cord and adapter, and/or USB cord. If through the process of supporting a reported issue Silhouette America® determines any of these hardware components are faulty within the first year the Silhouette is owned (from the original purchase date and as the machine is registered), Silhouette America® can then have any one or all of these components replaced. Hardware issues should be very rare. Generally issues experienced with the Silhouette are related to the software or improper operation. Please contact the Silhouette Support Team as you may have any concerns to further troubleshoot the issue and to confirm the source of the problem.

*This warranty applies to US and Canadian customers only. For warranty information regarding machines purchased in territories outside of the US and Canada, please contact the original retail location of purchase.

View full warranty ▾

Continue

Additional information

- After completing the machine registration, do not click "CONTINUE TO NEXT STEP". Instead, follow the instructions below to install the software (Silhouette Studio).
- After the machine registration, you will receive an email with details on the one-month free trial subscription. For details, refer to "[Use trial subscription in Silhouette Design Store](#)".

- 9 Exit the screen.

Install the software (Silhouette Studio)

The explanation for the software can be found by accessing the Silhouette America.com website after "Create an account". After registering the Silhouette machine in use, download the software from the download page (<https://www.silhouetteamerica.com/software>) and use it.

<https://www.silhouetteamerica.com/machine-setup>

🔍 Important

- Before installing Silhouette Studio, log in as a user with administrator privileges for the computer.
- Do not connect Silhouette CAMEO PRO MK-II to the computer until the software installation is completed.

Supported OS

- Windows / macOS

For details on supported operating systems, please visit [silhouetteamerica.com](https://www.silhouetteamerica.com)

<https://silhouetteamerica.freshdesk.com/support/solutions/articles/35000206199-software-minimum-system-requirements>

For Windows

- 1 Go to <https://www.silhouetteamerica.com/machine-setup>.
- 2 On the "Silhouette Machine Setup" screen, select the model to be used.
- 3 Select WINDOWS (64-bit) depending on the operating system used.
- 4 Downloading the installer starts.
- 5 Double-click the downloaded installer file "(downloaded file name).exe" to execute it.
- 6 Follow the instructions on the setup screen to install it.
- 7 Click "Next (N)" when prompted on the setup wizard.

For Mac

- 1 Go to <https://www.silhouetteamerica.com/machine-setup>.
- 2 On the "Silhouette Machine Setup" screen, select the model to be used.
- 3 Click MAC.
- 4 Downloading the installer starts.

- 5 Double-click the downloaded installer file "(downloaded file name).dmg" to execute it.
- 6 Drag the Silhouette Studio icon into the Applications folder and install it.

⚠ Note

If you have already installed Silhouette Studio, update it to the latest version from the following website.

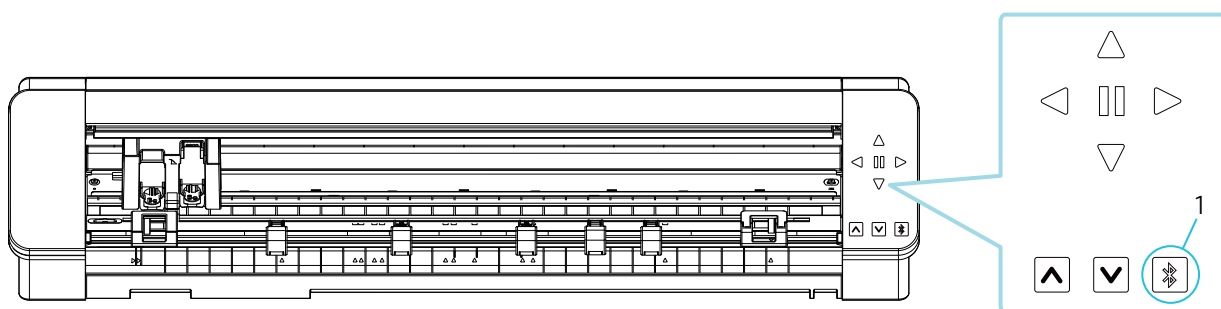
<https://www.silhouetteamerica.com/software>

Check the connection with Silhouette CAMEO PRO MK-II

You can choose to connect Silhouette CAMEO PRO MK-II to the computer using a USB cable or wireless connection with Bluetooth. Connect it according to the usage environment.

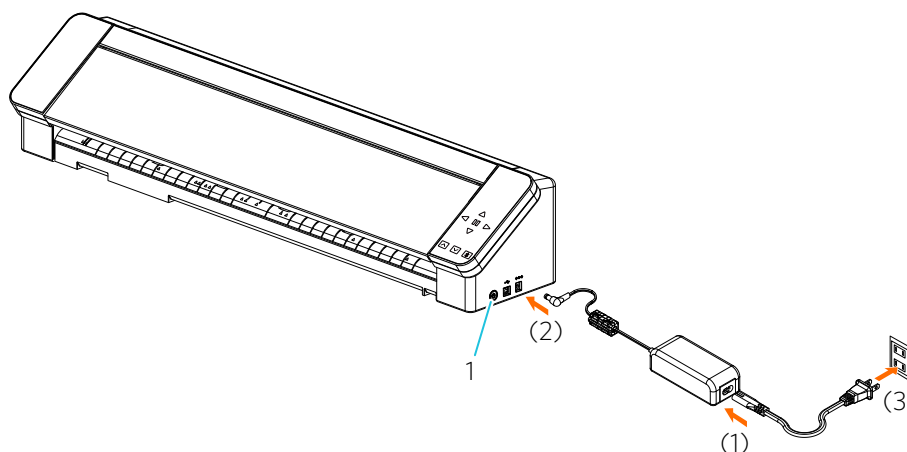
Connect with Bluetooth

Silhouette CAMEO PRO MK-II has a built-in Bluetooth adapter that allows wireless connection with your computer.



1. Bluetooth Button

- 1 Connect Silhouette CAMEO PRO MK-II to a power source.
Connect the power cables in the (1) to (3) order shown in the figure below.
Press and hold the Power Button for at least two seconds to start Silhouette CAMEO PRO MK-II.



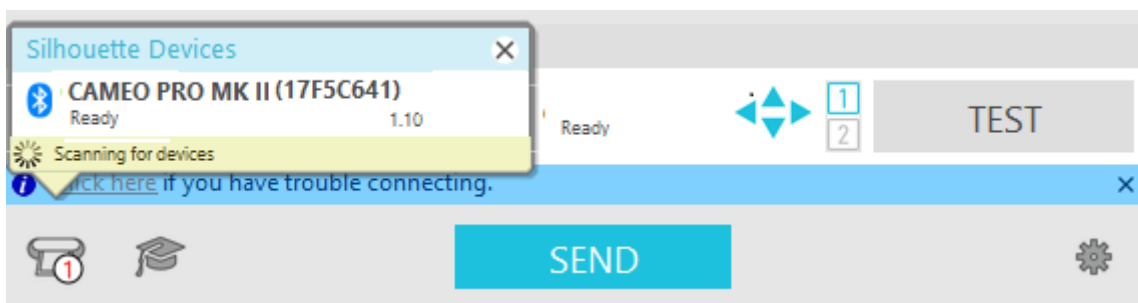
1. Power Button

- 2 Press the Bluetooth Button. The lamp lights up in blue and is ready for use.



1. Off (white)
2. Available (flashing in blue)
3. Connected (lights up in dark blue)

- 3 Turn on the Bluetooth on the computer.
Open the "SEND" tab of Silhouette Studio, and click the "Silhouette Devices" icon.



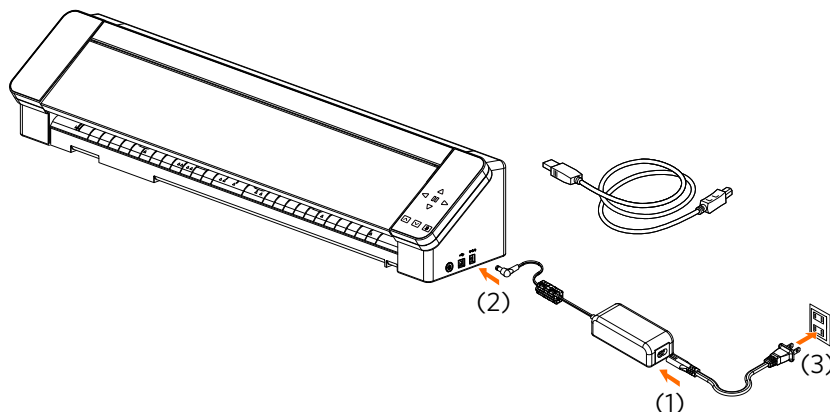
Select "CAMEO PRO MK-II" from the displayed device list, and the software will start syncing. The setup is completed when the Silhouette CAMEO PRO MK-II status is displayed as "Ready" or "Media Not Loaded" on the "SEND" panel.

Connect with the USB cable

Note

Do not connect Silhouette CAMEO PRO MK-II to the computer until the installation of the software (Silhouette Studio) is completed.
Purchase the USB cable separately.

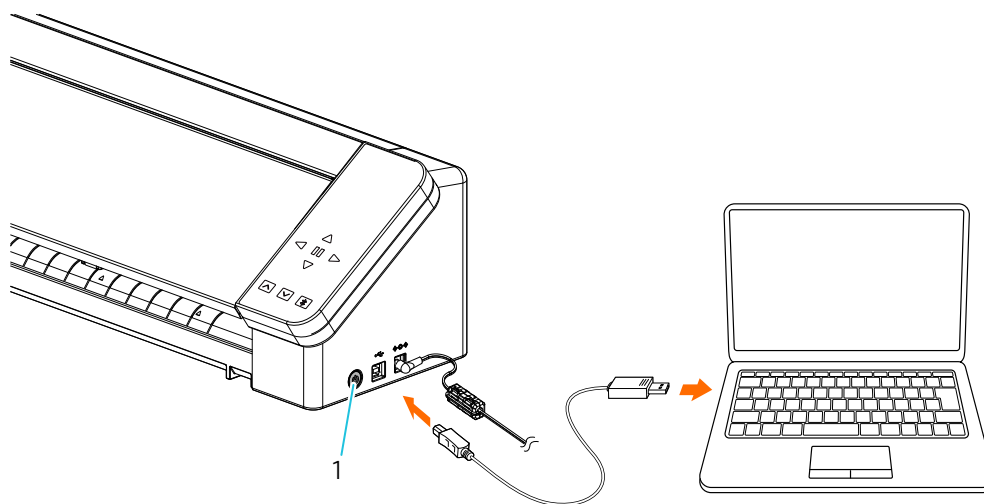
- 1 Connect Silhouette CAMEO PRO MK-II to a power source.
Connect the power cables in the (1) to (3) order shown in the figure below.



Note

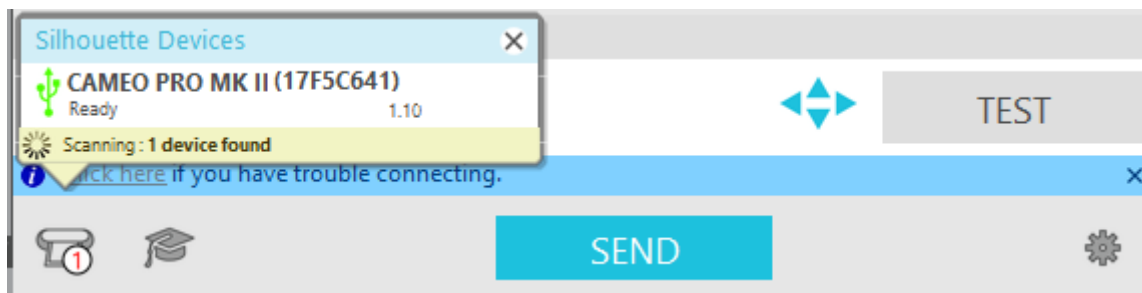
Do not connect the USB cable before the power cable is connected.

- 2 Connect the computer and Silhouette CAMEO PRO MK-II with the USB cable and press the Power Button to start Silhouette CAMEO PRO MK-II.



1. Power Button

- 3 Open the "SEND" tab of Silhouette Studio, and click the "Silhouette Devices" icon.



Select "CAMEO PRO MK-II" from the displayed device list, and the software will start syncing. The setup is completed when the Silhouette CAMEO PRO MK-II status is displayed as "Ready" or "Media Not Loaded" on the "SEND" panel.

Obtain contents

Once machine registration is completed, you will be offered the one-month trial subscription that allows you to download content for free from the Silhouette Design Store.

Note

In order to use free contents, it is necessary to complete the registration of the Silhouette account in advance.

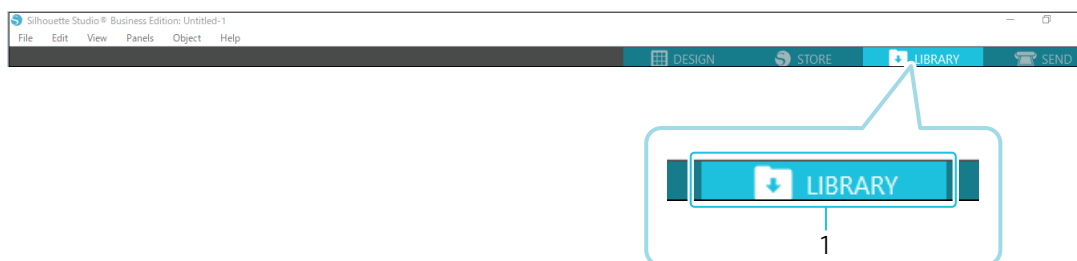
To register for the Silhouette account, click the link on the confirmation email you receive when you register the Silhouette account. If you do not activate your account, you will not be able to register the machine or access the Silhouette Design Store.

For more information, refer to "[Create an account](#)" above.

Check the free contents

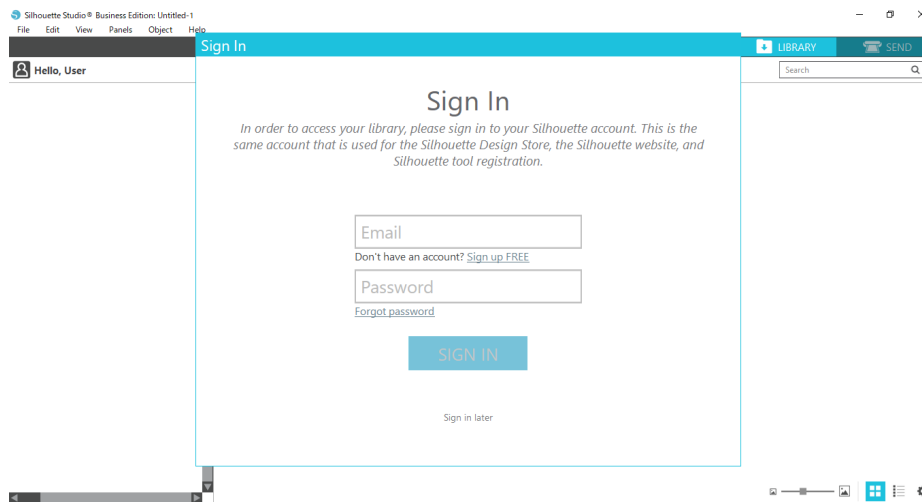
After registering Silhouette CAMEO PRO MK-II, you will be able to access the 100 free exclusive designs that come with the machine.

- 1 Start Silhouette Studio.
- 2 Click the "LIBRARY" tab to open the library.

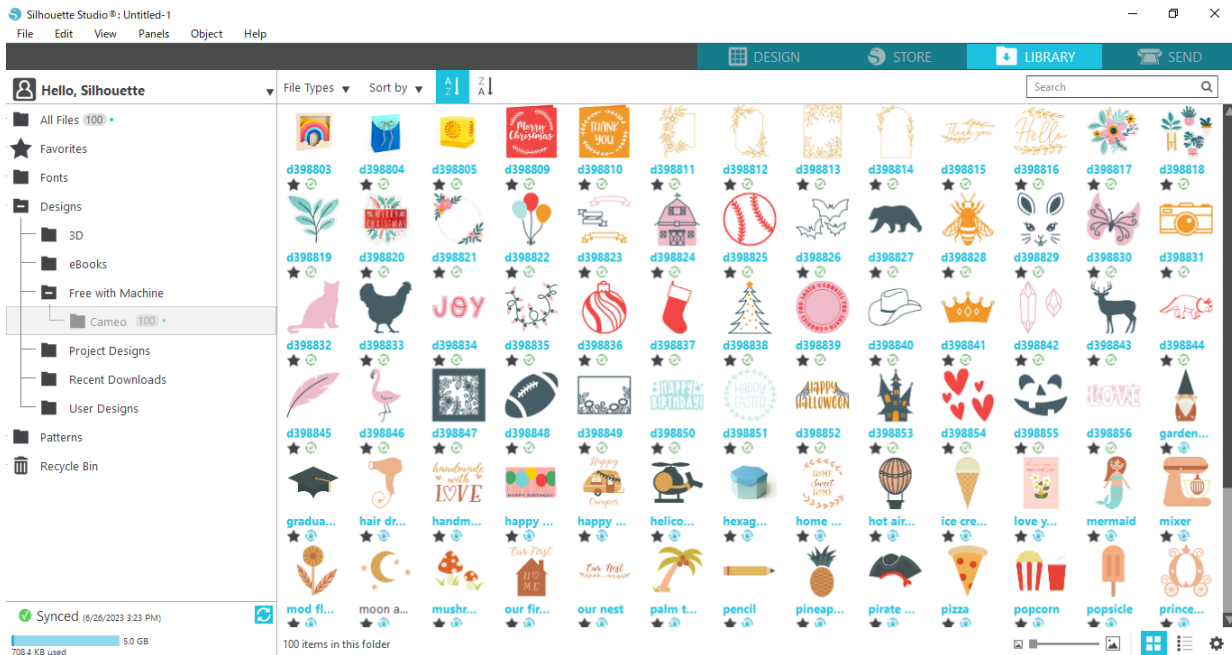


1. LIBRARY tab

- 3 Enter the registered email address and password for your Silhouette account and then sign in.



- 4 Once the setup is completed, 100 free contents will be displayed in the LIBRARY. These contents will be displayed in the "CAMEO" folder in "Free with Machine".



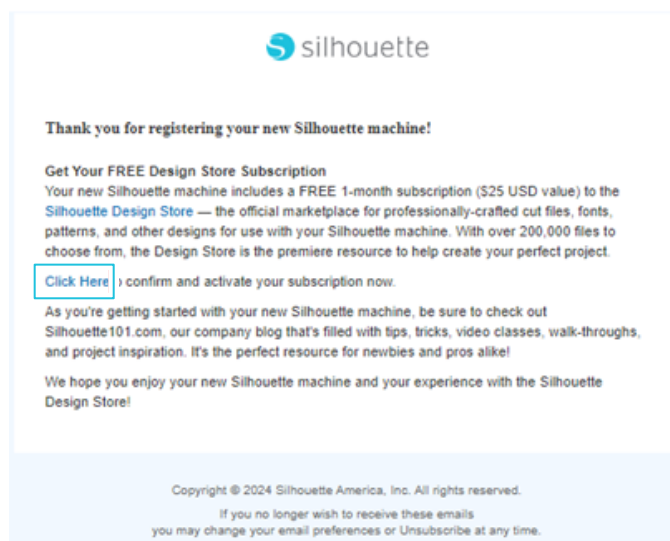
Use trial subscription in Silhouette Design Store

With the trial subscription, you can download contents (designs, fonts, patterns, etc.) for free * for one month after machine registration. In addition, the contents downloaded with the trial subscription can be used even after the trial ends.

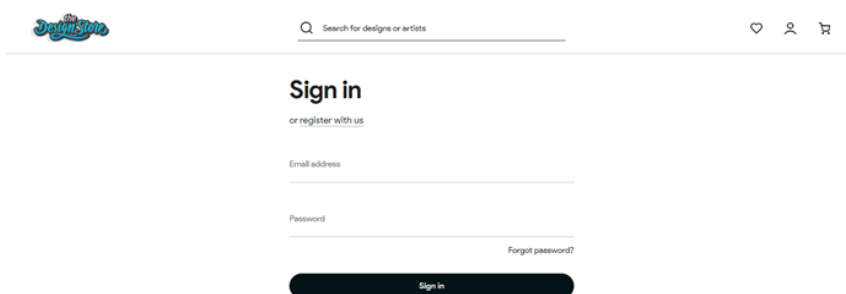
* Contents can be downloaded for free up to the displayed price (\$27.50 value).

The maximum display amount may vary.

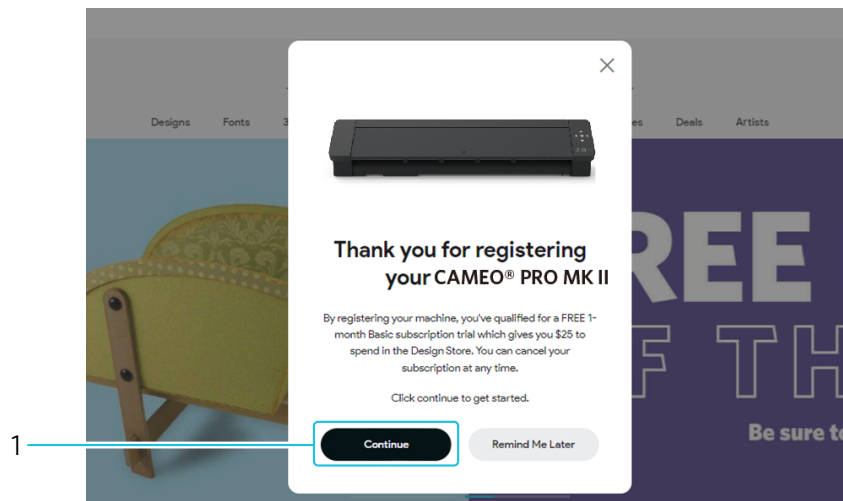
- 1 After machine registration, a link will be sent to the email address you entered during your account registration for you to download the free contents. Press "Click Here" in the email.



- 2 The "Sign In" screen for logging in to Silhouette Design Store appears. Enter the registered email address and password to sign in.

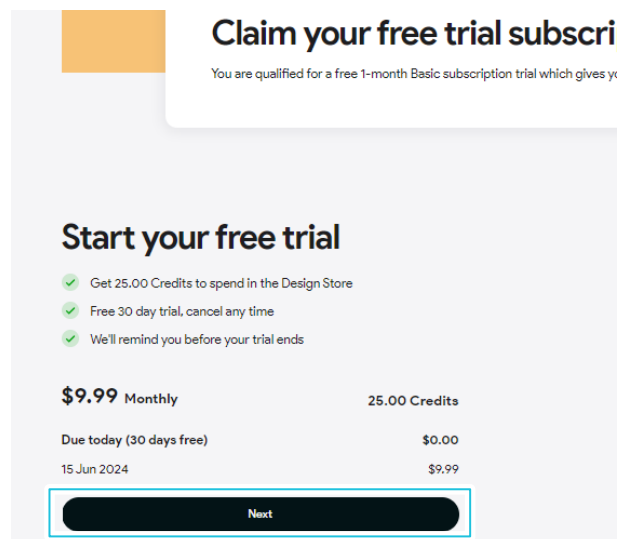


- 3 The machine registration screen appears. Click "Continue" to view the "Claim your free trial subscription" screen.



1. CONTINUE

- 4 Click "Next" when the trial subscription application page is displayed.



- 5 Click "I don't have a credit card or PayPal account" at the bottom of the screen and click "Next".

Payment Options

Credit Card
 Paypal
 I don't have a credit card or PayPal account

Don't worry. You can still start a free trial and enjoy all the benefits of a subscription. Your trial subscription will end after 30 days, but you can sign up for a new subscription at any time.

\$9.99 Monthly	25.00 Credits
Due today (30 days free)	\$0.00
15 Jun 2024	\$9.99

1. I don't have a credit card or PayPal account

Note

If you start the trial subscription after registering your credit card, the basic subscription will automatically start after the trial ends, and your credit card will be charged monthly. To use it as a trial only, remove your credit card information and click "I don't have a credit card or PayPal account" to start the trial. The "I don't have a credit card or PayPal account" option is displayed only for users other than users in the U.S.A and Canada.

- 6 Check the details of the trial subscription. Select the check box for "I agree to the Terms & Conditions of this subscription" and click "Begin's Trial".

Review & Submit

Subscription Type: Basic-Monthly-Trial
 Length: 1 Month
 Credits per month: 25.00(1 credit = \$1.00USD)
 Billing Summary: \$0.00 today Trial expires on 15 Jun 2024
 Payment Method: no card available

I agree to the Silhouette Terms and Conditions of this subscription.


\$9.99 Monthly	25.00 Credits
Due today (30 days free)	\$0.00
15 Jun 2024	\$9.99

1. I agree to the Terms & Conditions of the subscription
2. Start trial

- 7 When the trial subscription has been applied, the "SUCCESS!" screen appears.

Additional information

You will receive an email with the title "Your FREE Design Store Trial Subscription".



Hi John Doe,

Thank you for your Silhouette Design Store subscription purchase! This email is to confirm that your FREE 1-Month Basic-Monthly was successfully purchased Sincerely, The Silhouette Design Store Team

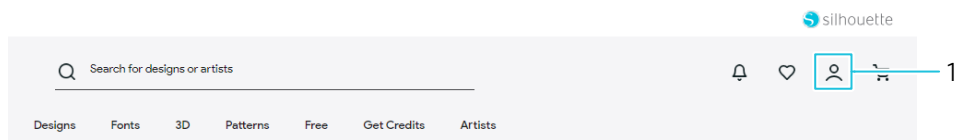
Silhouette

Copyright © 2024 Silhouette America, Inc. All rights reserved.

If you no longer wish to receive these emails
you may change your email preferences or Unsubscribe at any time.

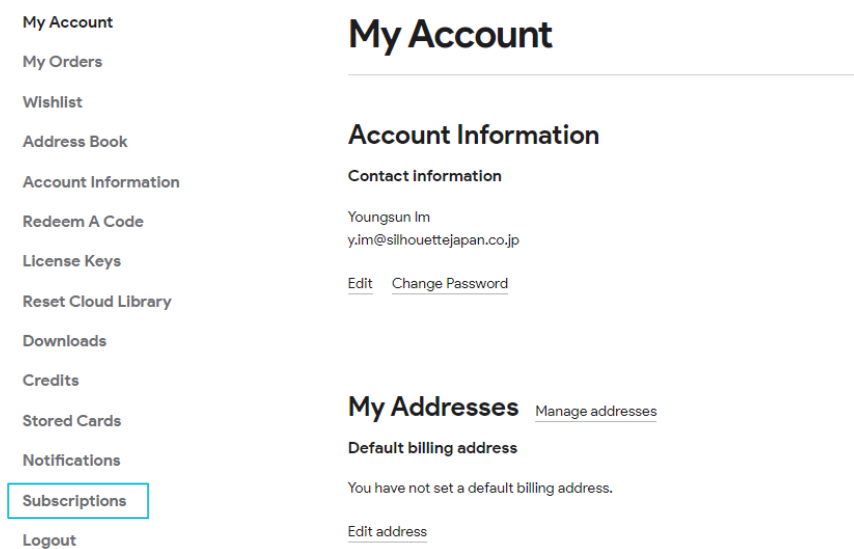
Confirm activation

- 1 Click the "My Account" icon on the top right of the Silhouette Design Store screen.

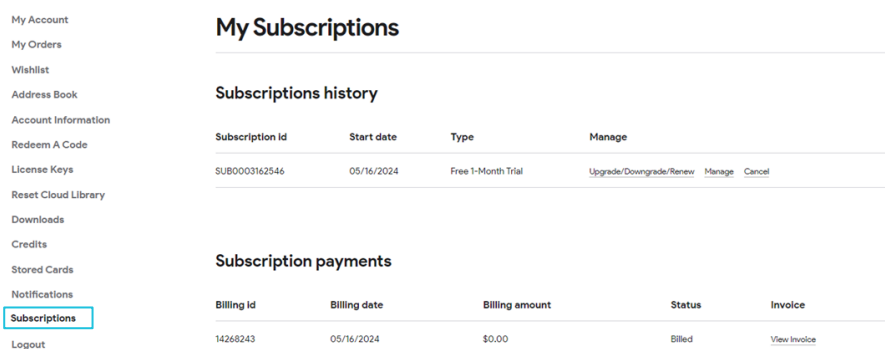


1. My Account icon

- 2 Click "Subscriptions" in the left tab of the "My Account" page.



- 3 Check your subscription history and payment status in the My Subscription page.



Confirm credit

- 1 Click "Credits" in the left tab of the "My Account" page.
- 2 You can check subscription transaction records in the Store credit and refund page.

Store Credit & Refunds

Store Credit Balance: \$50.00

Transaction id	Date	Change	New balance	Action
2	05-16-2024	+\$25.00	\$50.00	Purchased #Subscription Credits
1	05-16-2024	+\$25.00	\$25.00	Purchased #Subscription Credits

Show 10 per page

Launch software

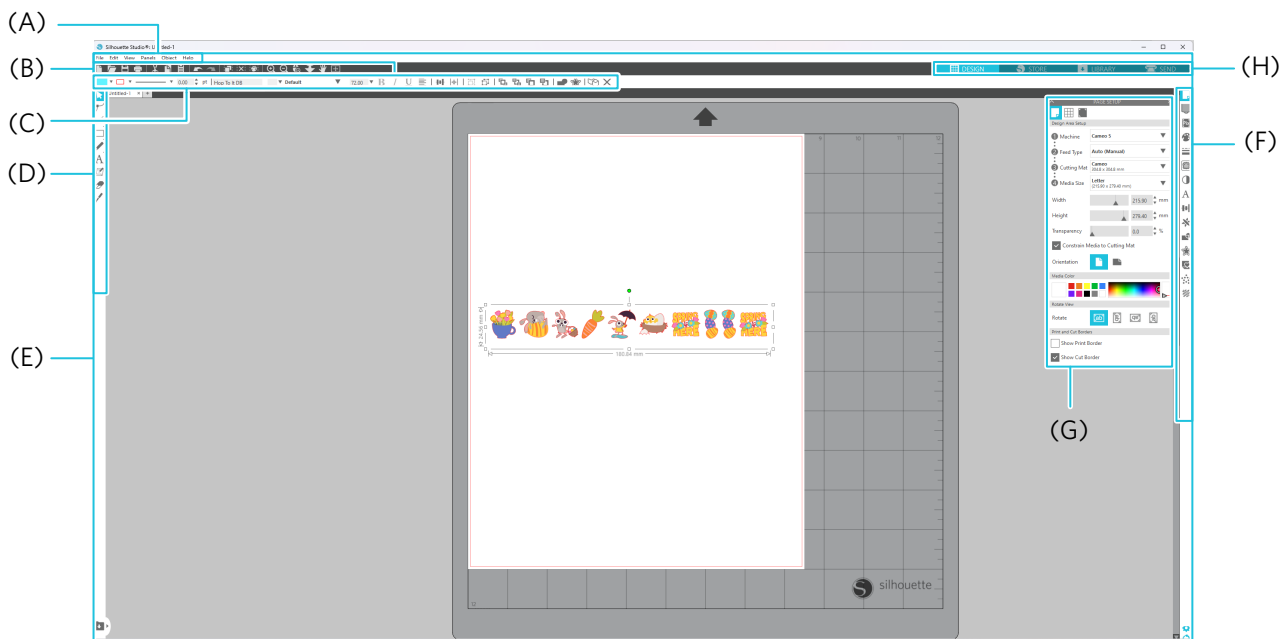
For Windows

- Start Silhouette Studio by double-clicking the icon on the desktop or from the Start menu.

For Mac

- Open the Applications folder and start Silhouette Studio.
Once Silhouette Studio is started, the Design page appears.

Name and functions of each component



(A) Menu bar

- File : For creating new files, opening existing files, saving files, exiting Silhouette Studio, and so on.
- Edit : For cutting, copying, pasting, and Preferences.
The configuration of language and unit settings, initialization of Silhouette Studio, and other tasks can be done in Preferences.
- View : For opening the grid view, setting registration marks, and so on.
- Panel : For displaying each panel.
- Figure : For rotating, replicating, merging, grouping, and so on.
- Help : For viewing the User's Manual, version information, and so on.

(B) Toolbar

Provides shortcuts for basic functions, such as New Drawing and Save.

(C) Quick Access Toolbar

Provides tools such as grouping, replicating, and setting the stacking order.

(D) Design Tool

Provides tools for drawing basic figures and adding texts.

(E) Workspace

This is the workspace for creating designs, such as figures and texts.

(F) Panel Display

Displays each panel.

(G) Panel

Provides the functions related to the opened panel.

(H) Tabs**DESIGN tab**

This is the workspace for creating designs.

You can return to the design page by clicking the "DESIGN" tab even while viewing the "LIBRARY" tab or "SEND" tab.

For details on each function of the design page, refer to "Help" and "User's Manual..." on the toolbar.

STORE tab

Access the Silhouette Design Store from the "STORE" tab when connected to the Internet to browse and purchase contents such as designs and fonts.

LIBRARY tab

You can access the designs saved in the library and the contents downloaded from the Silhouette Design Store from the "LIBRARY" tab.

In the library, you can add folders and subfolders to sort and organize the designs.

SEND tab

In the "SEND" tab, you can set the cutting conditions for the design and send the cutting data to Silhouette CAMEO PRO MK-II.

About the STORE tab (Silhouette Design Store)

The Silhouette Design Store is a store that sells over 200,000 high-quality design items that can be used with cutting machines.

In addition to designs for regular cuts, the store also offers a large variety of designs created by artists from all over the world, such as 3D data to facilitate the creation of three-dimensional pieces, fonts, designs for printing and cutting, and fill patterns.

You can create your own original design by downloading the design data that you like, changing the size, or processing the image, so even those who cannot design from scratch can enjoy designing items.

Additional information

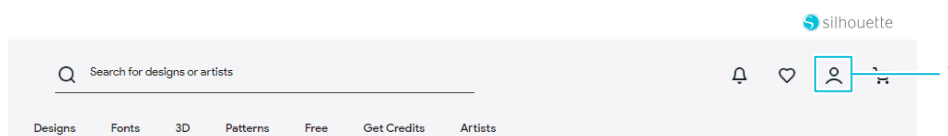
The Silhouette Design Store is a website run by Silhouette America, Inc. (Utah, U.S.A), a group company of Silhouette Japan Corporation that provides digital contents for a fee. The site is displayed in English by default. To change the language, choose the language you need in the bottom right area of the page. You can also change currency symbols.

- 1 Go to the website (<https://www.silhouettedesignstore.com/>) or click the "STORE" tab in the Silhouette Studio software.



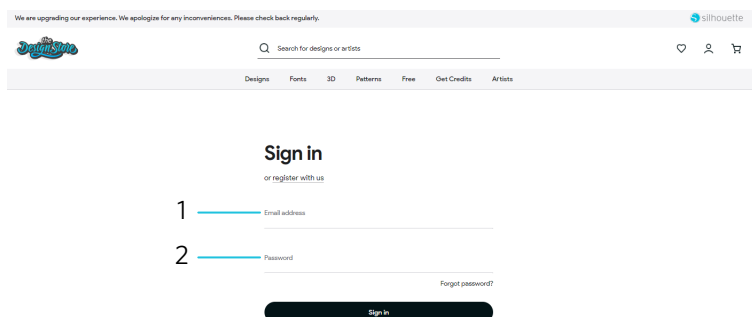
1. STORE tab

- 2 Click the "My Account" icon.



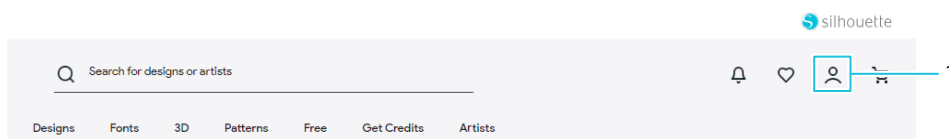
1. My Account icon

- 3 Sign in with the Silhouette account.



1. Registered Email Address
2. Password

- 4 Click the "My Account" icon.

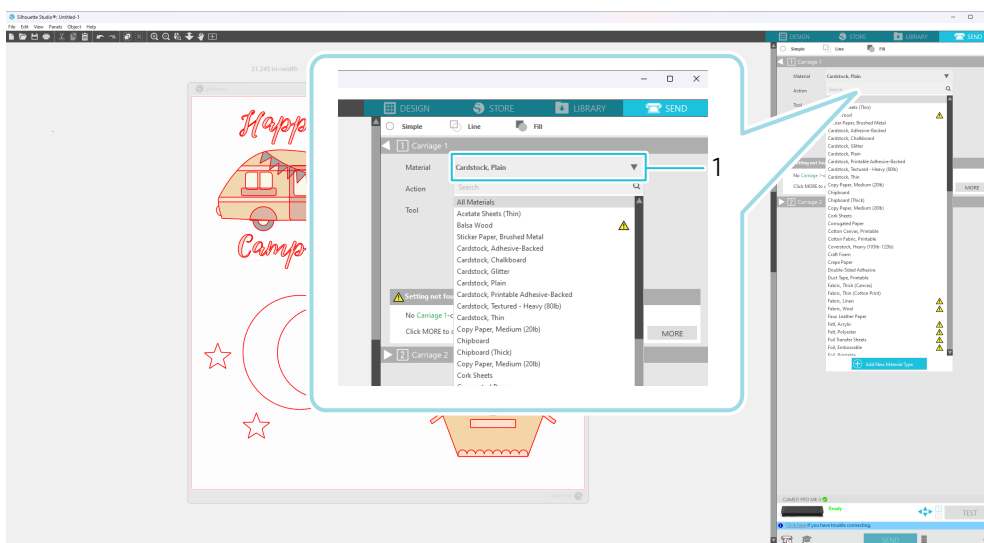


1. My Account icon

Configuring the cutting conditions

Descriptions of each setting item

- 1 Click the "SEND" tab on the top right of the Silhouette Studio screen.
- 2 The "Cut Setting Panel" is displayed.
- 3 Select the media to use from the pull-down list of cutting conditions.



1. Cutting conditions

Once you select media from the list, the optimal cutting conditions for the media are automatically applied.

When using materials other than Silhouette media, click "Add New Material Type" and manually set the cutting conditions.

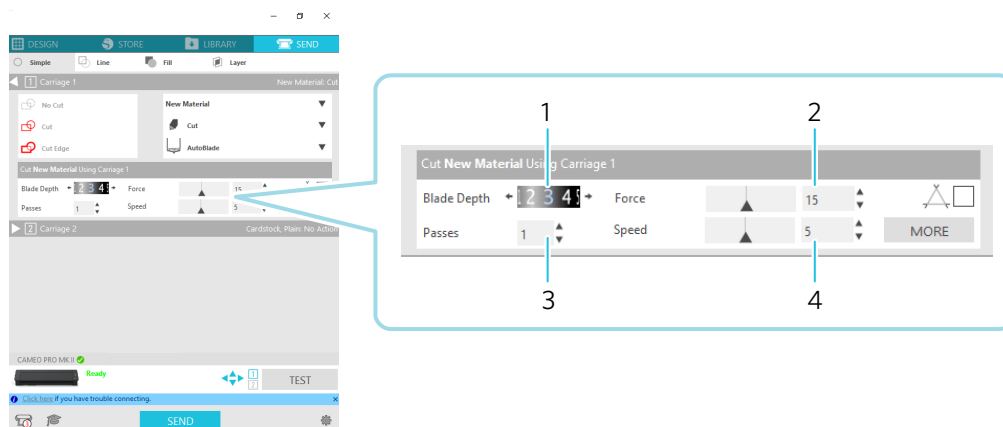


1. SEND tab
2. Cutting conditions
3. Action
4. Tool

4 Specify an action such as "Cut" or "Sketch" from the Action pull-down list.

5 Specify the tool to use in the Tool pull-down list.

6 If you want to manually set the cutting conditions, set the blade depth, speed, force, and passes. First, set the speed to slow and the force to low, and if it is not enough, gradually increase the setting.



1. Blade Depth setting
2. Force setting
3. Passes setting
4. Speed (cutting speed) setting

- 1 Blade Depth : Automatically protrudes the blade by the amount specified at the time of cutting. (Only for AutoBlade)
Adjust the blade depth so that the blade protrudes slightly more than the thickness of the media to be cut.
- 2 Force : Set the force according to the thickness of the media to be cut.
- 3 Passes : Set the number of times to cut the design.
Increase the number of passes when cutting thick or hard media.
- 4 Speed : Set the cutting speed.
Reduce the speed when cutting fine or complex designs or thick media.

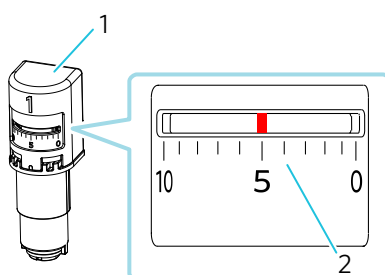
Guideline for blade depth and media materials

Blade depth	Material types
1	Thin materials, thin paper / films, and smooth iron-print materials
2 to 3	Medium thick paper (such as Kent paper), thick film, and flock iron-print materials
4 to 6	Thick paper such as scrap-booking materials
7 to 10	Thick paper such as cardboard

AutoBlade indicator scale

Check the AutoBlade indicator scale from the front for the actual blade depth.

Since the display surface is curved, it may not be possible to check the correct value if viewed from an angle.

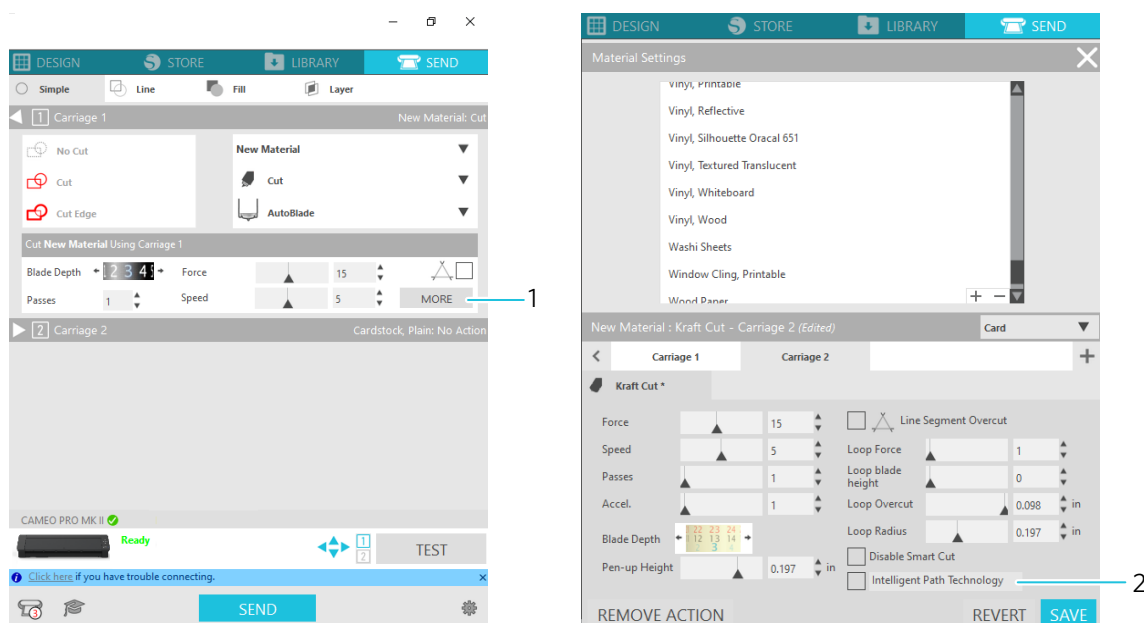


1. AutoBlade
2. Scale

About the Intelligent Path Technology

If you want to set advanced cutting conditions manually, click "MORE".

If you select the check box of the "Intelligent Path Technology" function, you can perform cutting using a dedicated cutting procedure, making it possible to cut delicate materials without misalignment.



1. MORE
2. Intelligent Path Technology

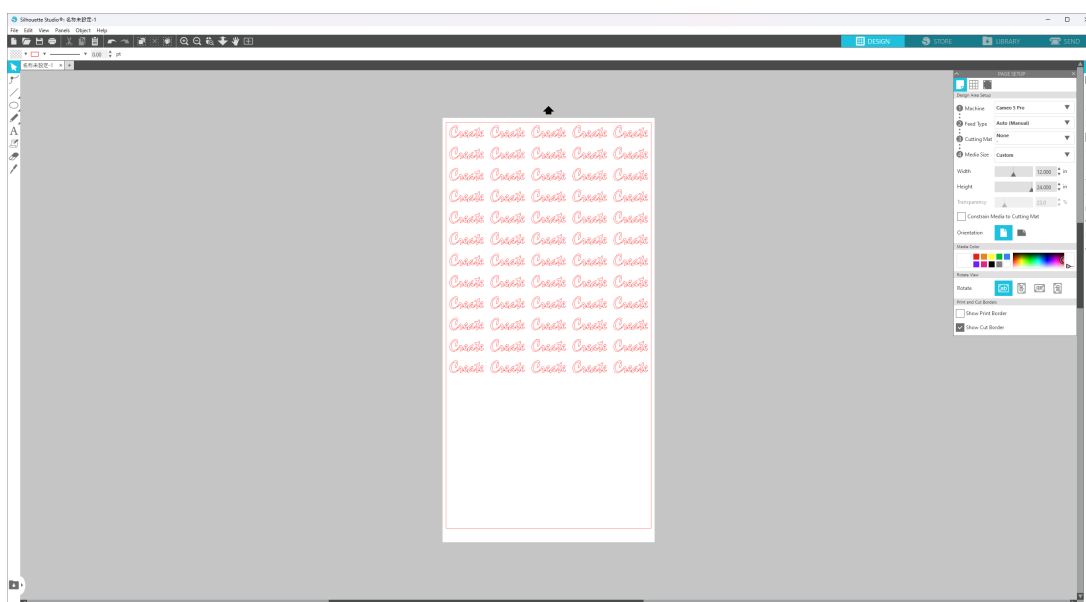
Additional information

In addition, this function is effective when cutting the following data.

- When cutting complicated designs
- When cutting sharp angles
- When the adhesive comes off easily, such as sealing materials

Auto cross-cutting

If you use the auto cross-cutting function, the specified line on the media is automatically cut after cutting the design, and the design is separated from the media on the cutting machine.



Note

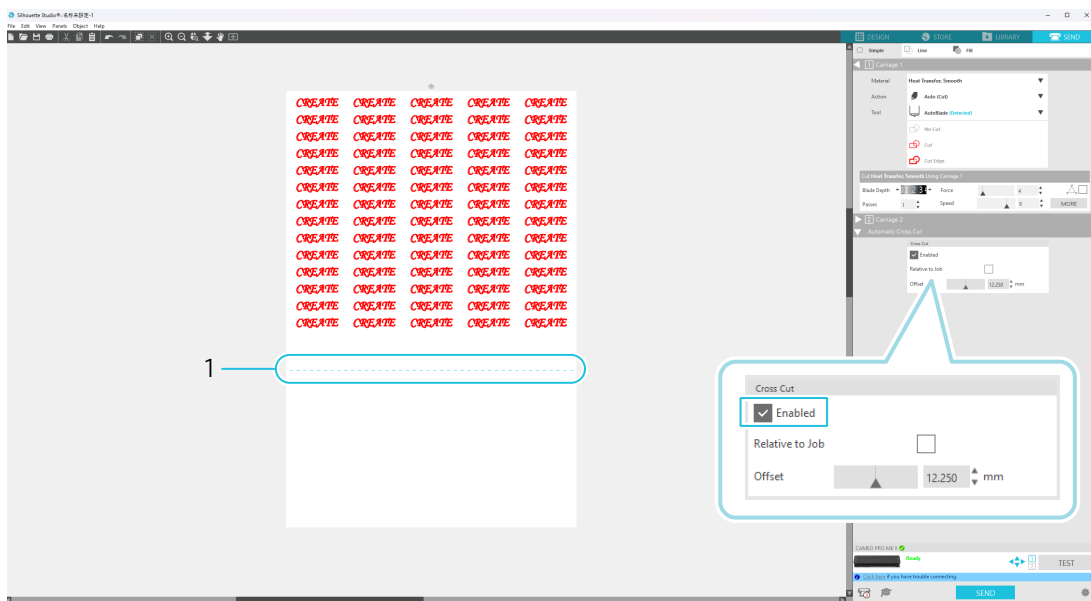
This function can be used if the following three conditions are met.

- The media are either cutting film, iron-print sheet, or using user-defined cutting conditions.
- The machine is set not to use the mat.
- If the AutoBlade is set on the connected machine.

- 1 From the "Panel Display" menu, select the "Page Setup" panel.
- 2 Set "CAMEO PRO MK-II" for "Machine", "Manual" for "Feed Type", and "None" for "Cutting Mat".
- 3 Press the "SEND" tab to open the send screen.
- 4 Set "Cutting film" or "Iron-print sheet" as the cutting condition, or use user-defined cutting conditions.
- 5 Select the "Action" - "Cut".
- 6 Select "Tool" - "AutoBlade".
- 7 Connect the machine to a PC and insert the AutoBlade.

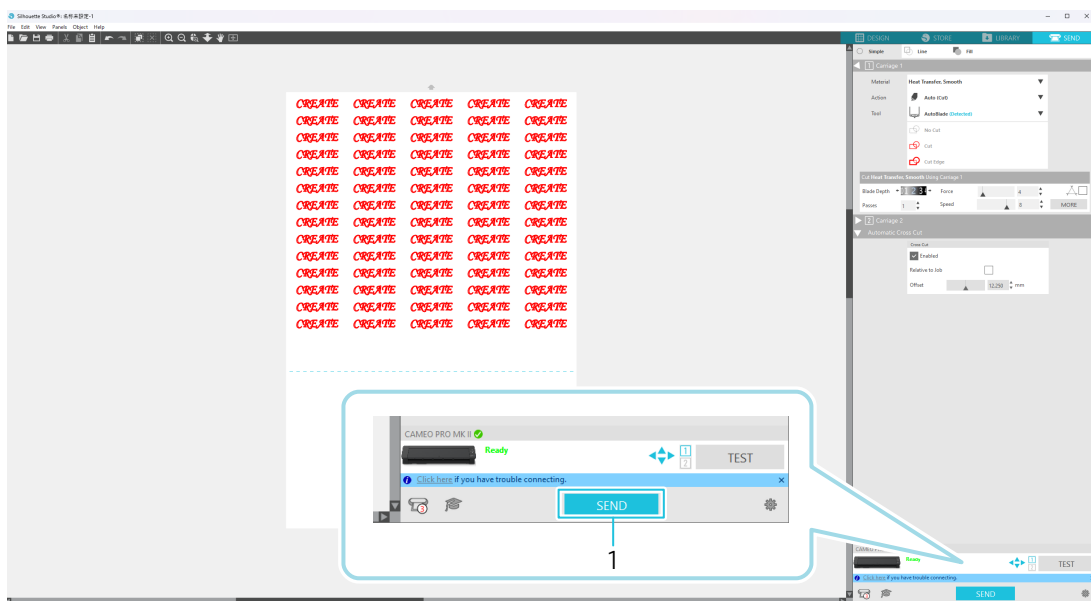
8 Select the "Auto Cross-Cutting" check box.

9 Sets the cutting position for auto cross-cutting.



1. Cut position for auto cross-cutting

10 Press the "SEND" button to start cutting.



1. SEND button

If you enable auto cross-cutting, the created design is cut, and then the auto cross-cutting is performed.

Additional information

During auto cross-cutting, the blade depth of the AutoBlade is automatically adjusted.

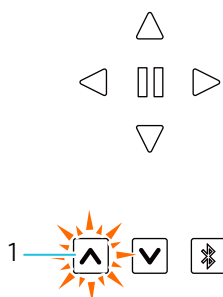
Note

After performing auto cross-cutting, remove the cut media by hand.
This may cause the media to be stuck during the next cutting operation.

Repeat Job function

Repeatedly cuts the data sent from Silhouette Studio using Silhouette CAMEO PRO MK-II.

- 1 The Media Load Button flashes if there is repeat drawing data.



1. Media Load Button

- 2 Press the flashing Media Load Button for approximately 3 seconds.

Note

- Repeat Job cannot be executed if the power was shut down after cutting or the connection was disconnected.
- The Repeat Job function is disabled when connected to Silhouette Auto Sheet Feeder (ASF).

02 How to use

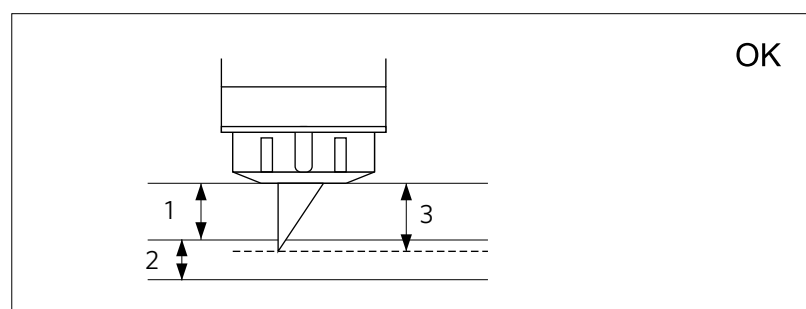
Perform test cut

If cutting conditions, such as blade depth, force, and speed, are not appropriate, the blade tip may break, or the machine may be damaged. Furthermore, the expected cutting results may not be obtained, and the media may be wasted.

Optimal cutting conditions vary depending on the thickness and quality of the media used and the degree of wear of the blade.

Make a test cut every time you change the media.

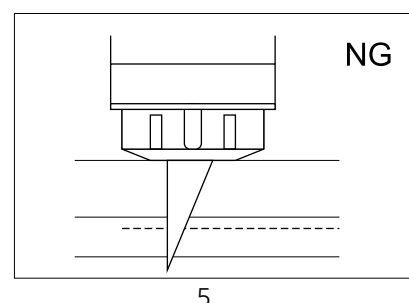
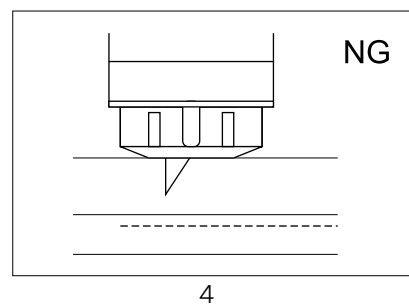
Guideline for blade depth



The most important setting in cutting is to adjust the blade depth.

Adjust the blade depth so that the blade protrudes slightly more than the thickness of the media to be cut.

When cutting the cutting film, extend the cutter blade more than the film, but not so much that it penetrates the release paper.



1. Film thickness
2. Release paper thickness
3. Appropriate blade depth = Film thickness + α
4. Does not cut through the film
5. Cut through to the release paper

Using a cutting mat

Be sure to use the cutting mat when cutting the following media.

Failure to use the cutting mat may damage the machine.

- When cutting media that do not have release papers
- When cutting out media (die cut)

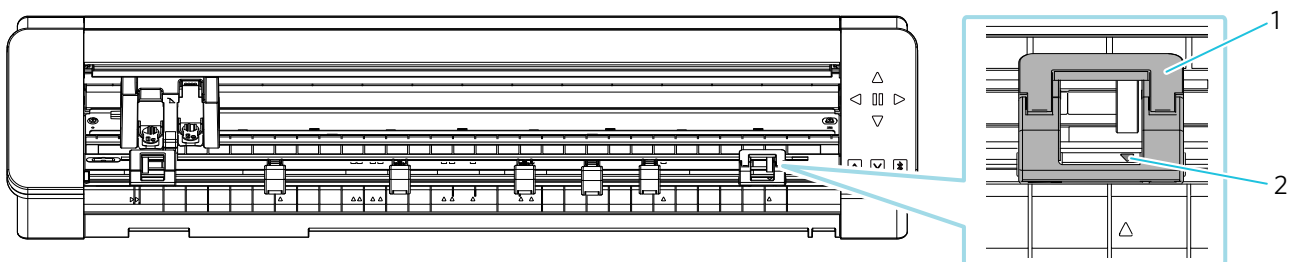
Cutting with an AutoBlade

There are two ways to feed paper when loading media.

- If feeding paper automatically: When the media is loaded, paper is fed automatically.
- If feeding paper manually: Paper is fed manually after loading the media.

Changing the Pinch Roller Unit position

- 1 Raise the Pinch Roller Unit lever, slide the Pinch Roller Unit according to the width of the loaded media, and lower the level to secure the Pinch Roller Unit.

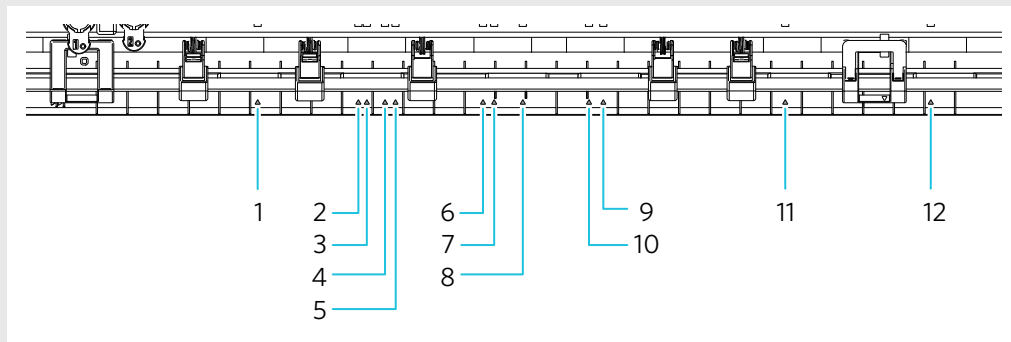


1. Pinch Roller Unit
2. "▲" symbol

Additional information

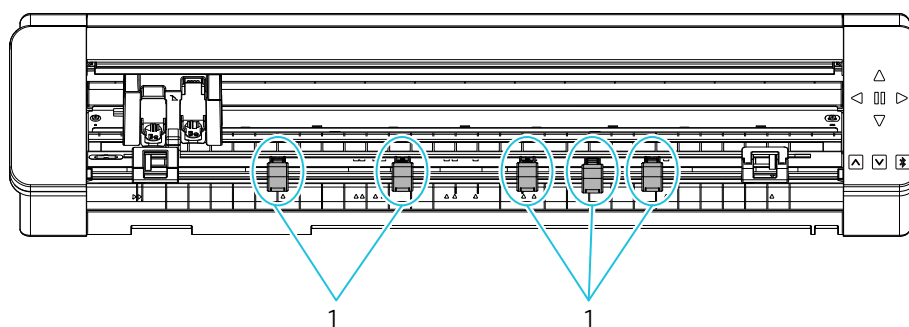
"▲" symbols are engraved on the front panel for each media size.

Align the "▲" symbol of the Pinch Roller Unit with the "▲" symbol on the front panel, and secure the Pinch Roller Unit.



1. 5 in.
2. A4
3. Letter
4. 9 in.
5. 8.5-inch cutting mat
6. A3
7. 12 in.
8. 12-inch cutting mat
9. 15-inch cutting mat
10. 15 in.
11. 20 in.
12. 24 in., 24 inch-cutting mat

- 2** Move the Auxiliary Roller left and right, and set it at the position where the media may likely warp.



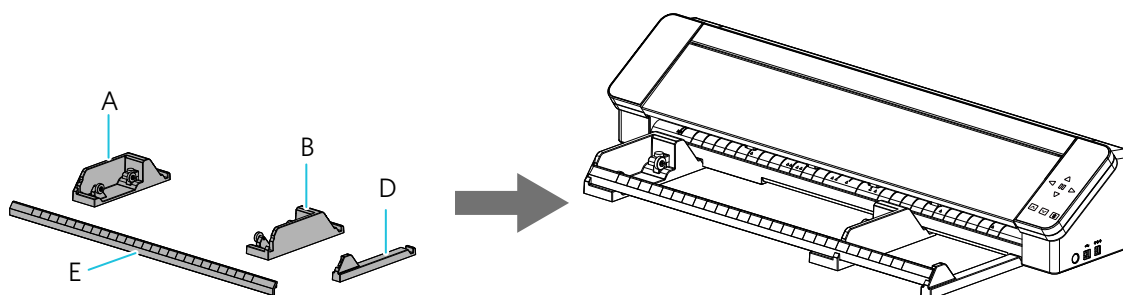
1. Auxiliary Roller

If using roll paper

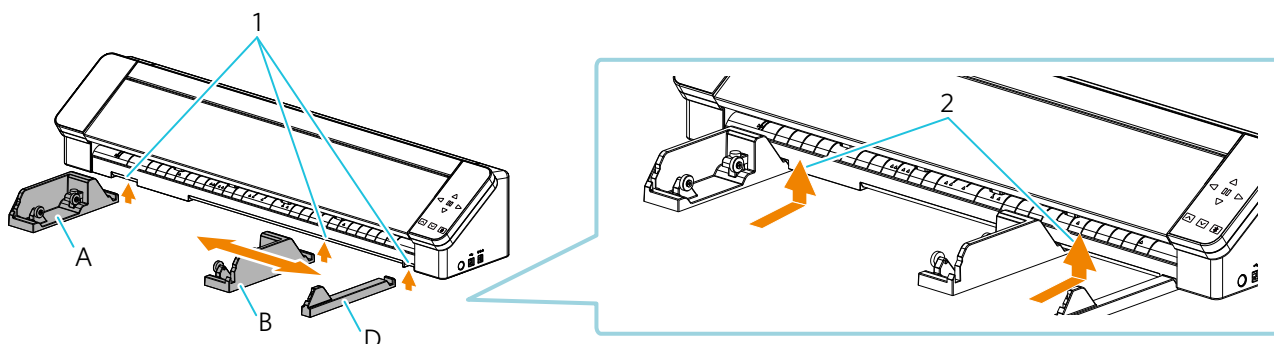
Roll paper is used by setting a regular width size media on the included Roll Feeder.

Roll feeder assembly

Components and example of assemblage (media support parts are not used)

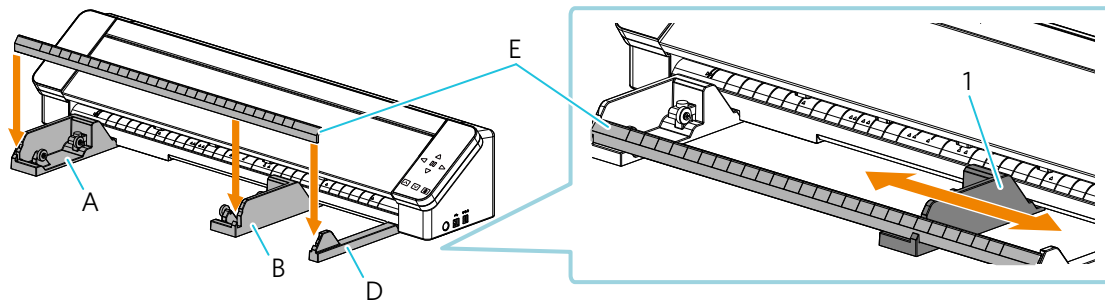


- 1** Set the components on their installation positions at the bottom of the machine. Check the directions of each part and set part A on the left and part D on the right. Set part B at a position that is aligned with the roll paper width. For attachment, lift the front of the machine slightly, and set the parts so that the concaves at the bottom of the machine match the convex positions of each part.



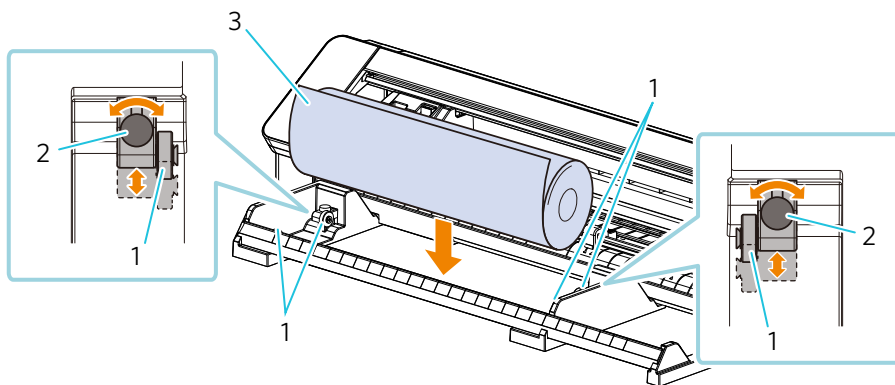
1. Attachment position
2. Lift the front of the machine slightly and set to the attachment position

- 2** Next, set part E so that it is enclosed between parts A and D.



1. You can make adjustments based on the roll paper size

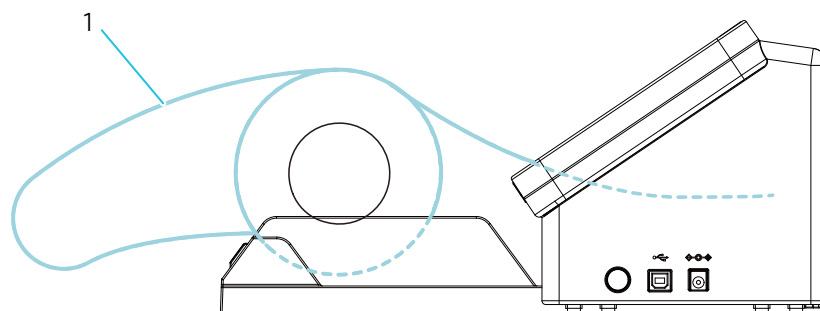
- 3** You can move the roller by matching the diameter of the roll paper you intend to use. The roller position can be adjusted to 3 positions. Move the roller by loosening the knob and tighten the knob on the same left and right sides to fix it. Set the roll paper on the roller by pulling it out from above.



1. Roller
2. Knob
3. Roll paper

Loading roll paper

- 1** Pull out the roll paper, and leave the same amount of roll paper slack as the length used at the front of the machine.

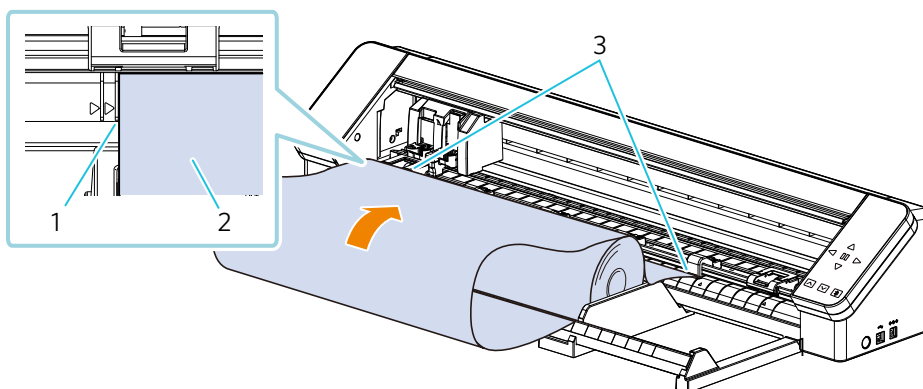


1. Create paper slack for the length you intend to use

Note

If you use the Roll Feeder, make sure there is enough space when installing it so that it does not affect any drawing operation.

- 2** Align the left edge of the media with the Guiding Line on the inner side, butt the leading end of the media against the roller at the bottom of the rail, and load it straight.



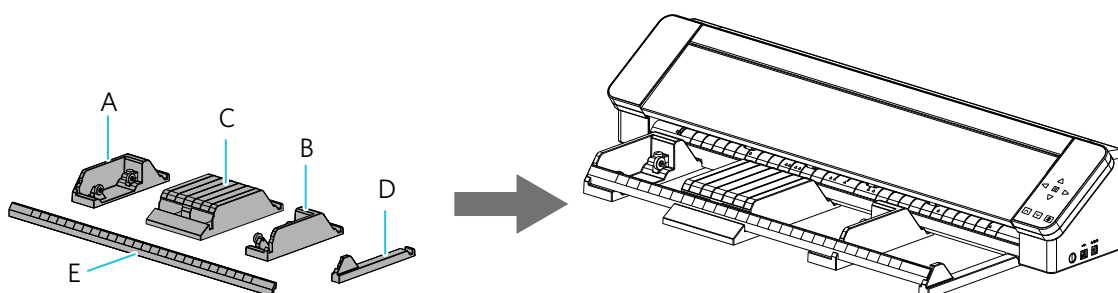
1. Roll paper
2. Align to the Guiding Line on the inner side (set parallelly)
3. Match to the roller at the bottom of the rail

If using cutting paper and a cutting mat

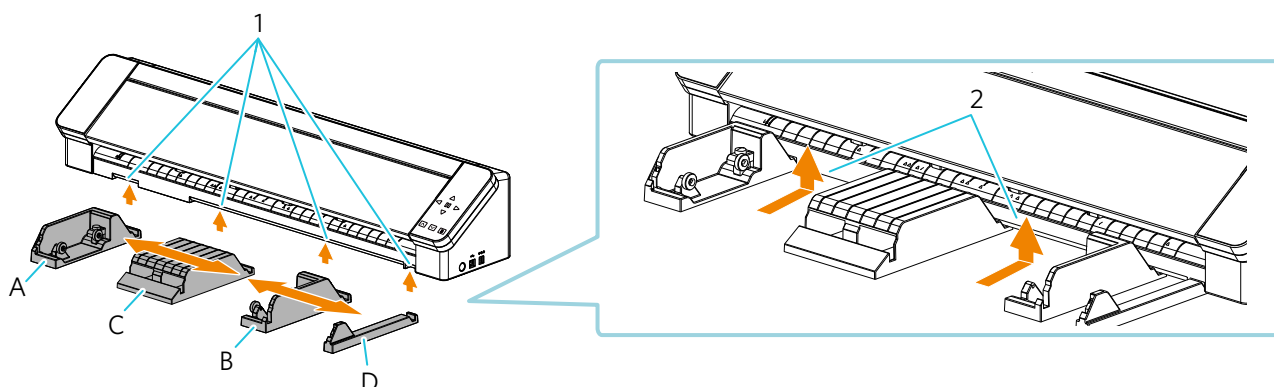
Set using the included media support if using cutting paper and cutting mats.

Media support assembly

Components and example of assemblage

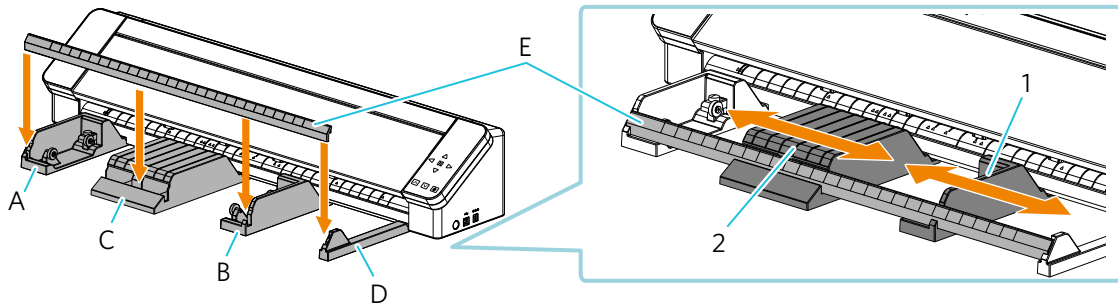


- 1** Set the components on their installation positions at the bottom of the machine. Check the directions of each part and set part A on the left and part D on the right. Set both parts B and C in the order as shown in the illustration below. For attachment, lift the front of the machine slightly, and set the parts so that the concaves at the bottom of the machine match the convex positions of each part.



1. Attachment position
2. Lift the front of the machine slightly and set to the attachment position

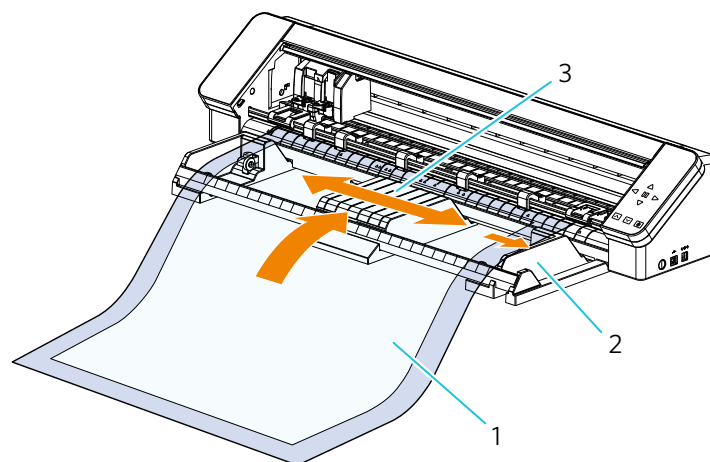
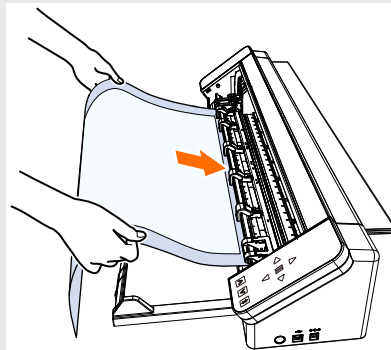
- 2** Next, set part E so that it is enclosed between parts A and D.
Make adjustments by moving the center media support part C and roll feeder part B to match the size of the cutting paper to be used.



1. Make adjustments based on the cutting paper and cutting mat size (edge)
2. Make adjustments to position at the center of the cutting paper and cutting mat

Additional information

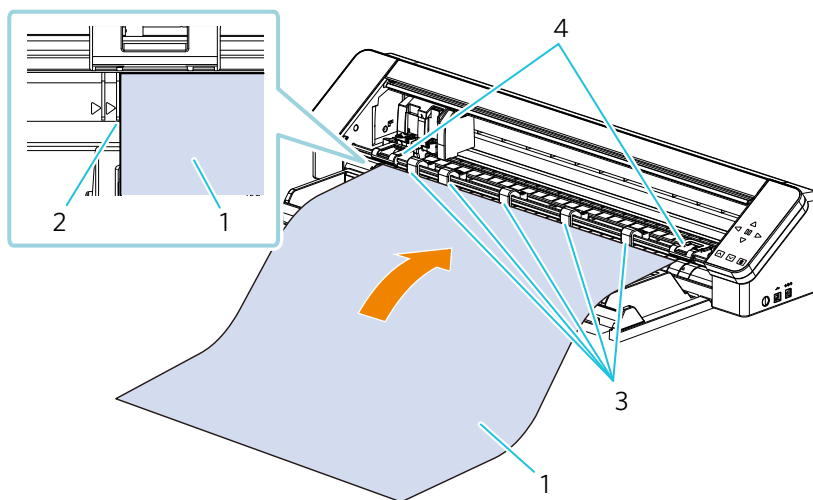
- Warping near the center of the media may occur and media feeding may be affected depending on the cutting paper material loaded on the machine.
If using these kinds of materials, move the media support part and adjust the position so warping does not occur.
- If inserting hard media such as cutting mats, they can be inserted smoothly if they are inserted slightly lifted at an angle.



1. Cutting paper and cutting mats
2. B Roll Feeder part
Match the size of the cutting paper and cutting mat
3. C: Media support part
Make adjustments to a position where warping does not occur

Loading cutting paper and cutting mat (8.5 in., 12 in., 15 in.)

- 1** Align the left edge of the media with the Guiding Line on the inner side, butt the leading end of the media against the roller at the bottom of the rail, and load it straight.



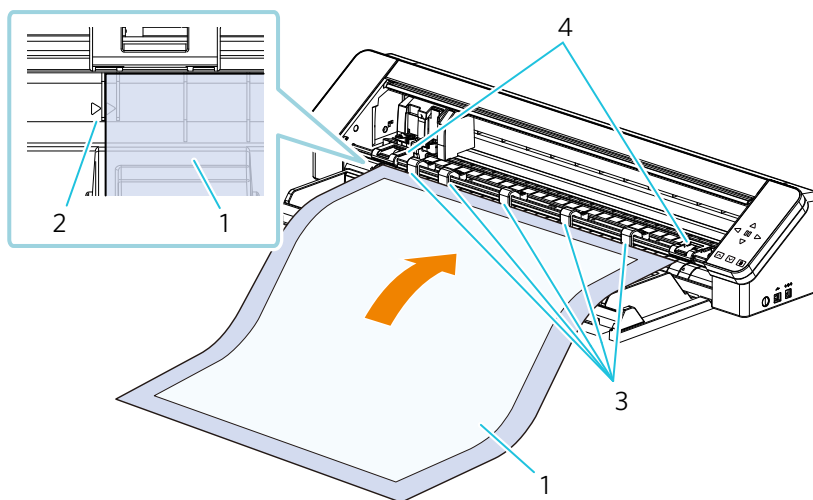
1. Cutting paper or cutting mat
2. Align to the Guiding Line on the inner side (set parallelly)
3. Auxiliary Roller
4. Match with the Pinch Roller Unit

Additional information

- When loading the media, pull the media taut on the left and right sides with both hands to set.
- If you are using the (8.5 in., 12 in., 15 in.) cutting mat, align it with the inner Guiding Line and load it.

Load the included 24 inch-cutting mat

- 1** Align the left edge of the cutting mat with the Guiding Line on the outer side, butt the leading end of the cutting mat against the roller at the bottom of the rail, and load it straight.



1. Included 24 inch-cutting mat
2. Align to the Guiding Line on the outer side (set parallelly)
3. Auxiliary Roller
4. Match with the Pinch Roller Unit

Additional information

- Pull the cutting mat taut on the left and right sides with both hands to set it so the cutting mat does not sag.

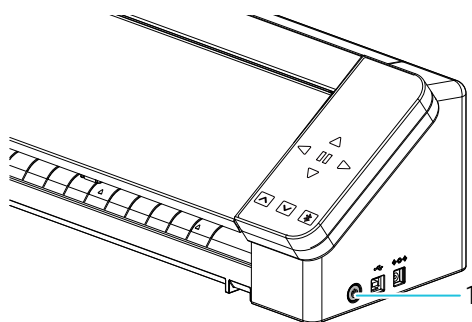
Load media

If loading automatically

Note

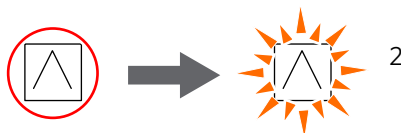
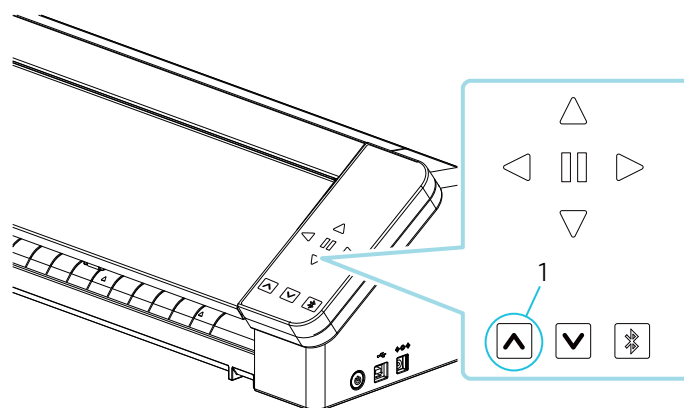
Be sure to use the cutting mat when cutting media that are out of standard sizes. Otherwise, it may damage the machine and the blade.

- 1 Press and hold the Power Button for at least two seconds to start Silhouette CAMEO PRO MK-II.



1. Power Button

- 2 Press the Media Load Button once before loading the media. The Media Load Button flashes, and the status turns to "Waiting for media load".



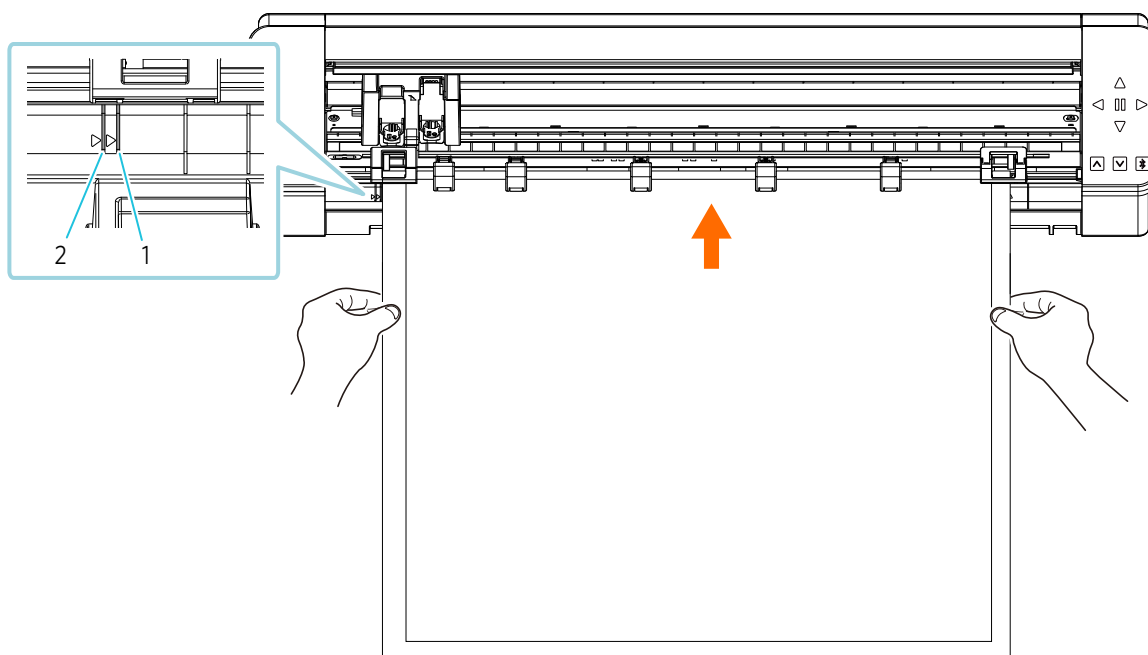
1. Media Load Button
2. Media Load Button flashes "Waiting for media load" status

Additional information

- When the Media Load Button is flashing, the functions of all other buttons become invalid.
- To cancel the "Waiting for media load" status, press the Media Load Button again. The Media Load Button changes from flashing to being fully lit.

3

Align the left edge of the media with the Guiding Line on the front panel.

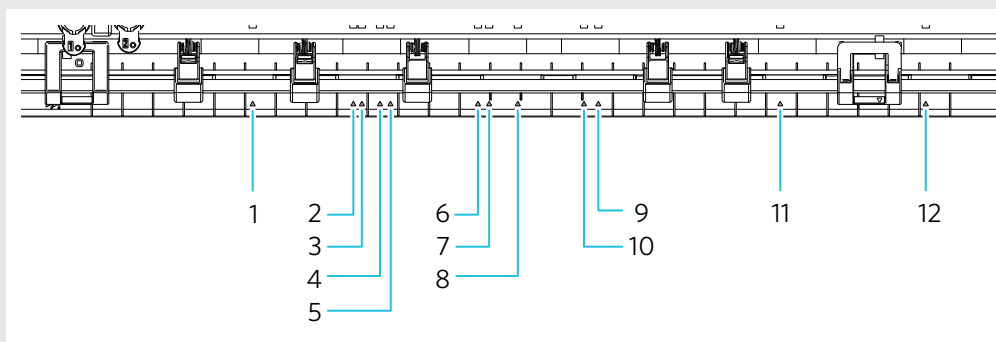


1. Guiding Line (other than the 24 inch-cutting mat)
2. Guiding Line (24 inch-cutting mat)

Additional information

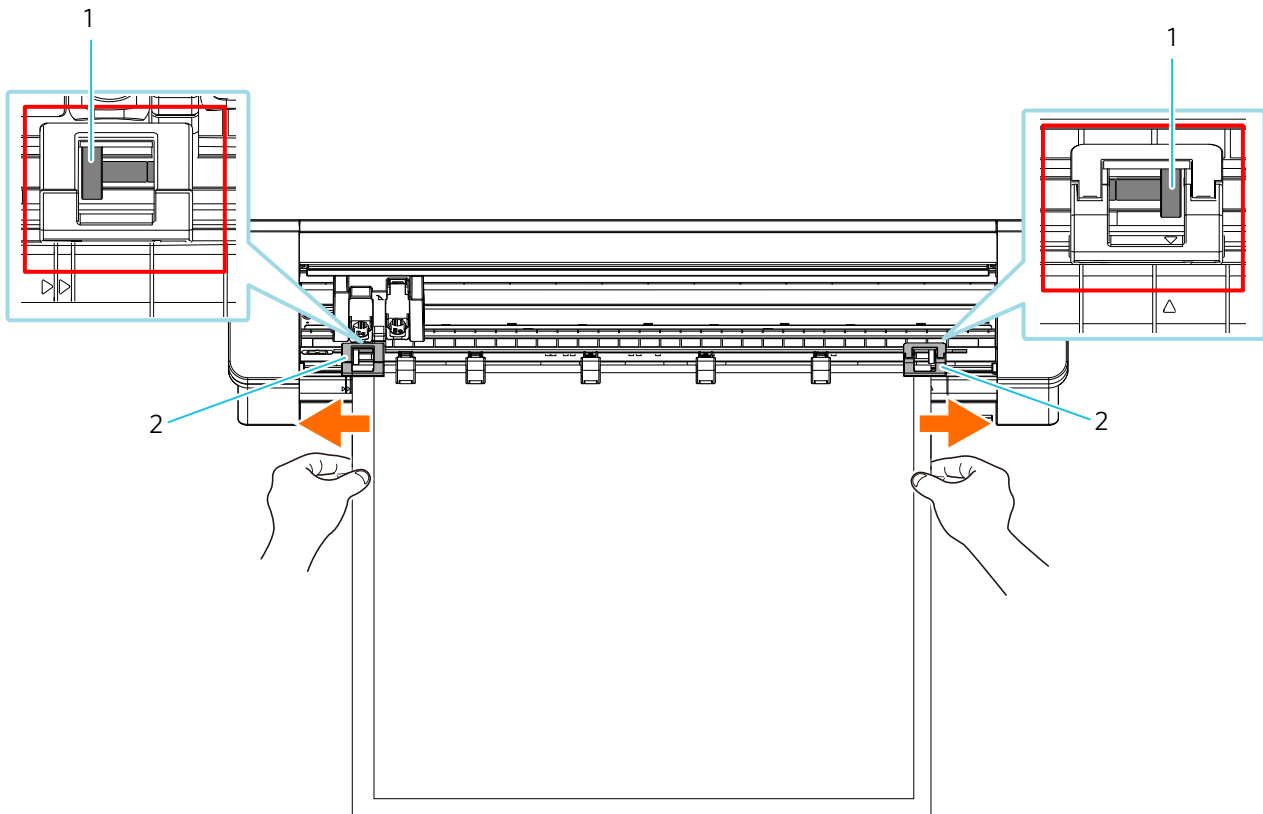
"▲" symbols are engraved on the front panel for each media size.

Align the "▲" symbol of the Pinch Roller Unit with the "▲" symbol on the front panel, and secure the Pinch Roller Unit.



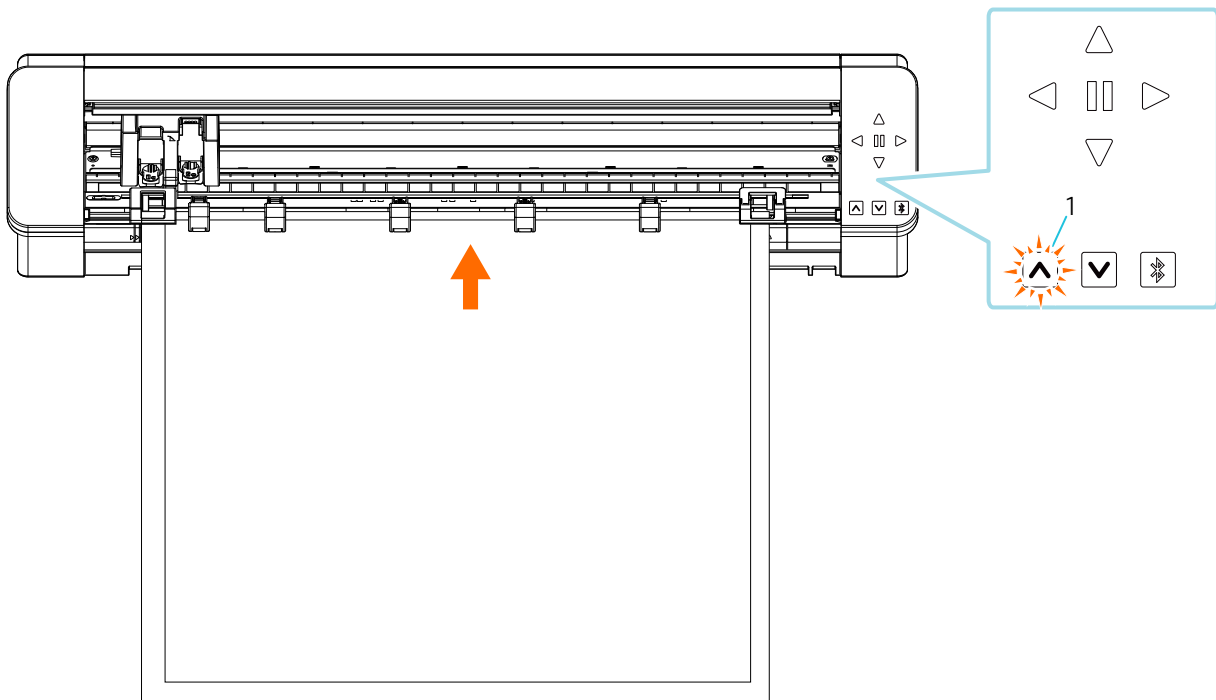
1. 5 in.
2. A4
3. Letter
4. 9 in.
5. 8.5-inch cutting mat
6. A3
7. 12 in.
8. 12-inch cutting mat
9. 15-inch cutting mat
10. 15 in.
11. 20 in.
12. 24 in., 24 inch-cutting mat

- 4** Butt the leading end of the media against the Pinch Rollers at the bottom of the rail and load it straight. When loading the media, pull it to the left and right with both hands to set them taut.



1. Pinch Roller
2. Pinch Roller Unit

- 5 When the media is loaded, the roller starts turning after about 3 seconds, and paper starts to be fed.



1. Media Load Button flashes when feeding paper

Note

- In "If loading automatically", the paper is fed automatically when loading the media. Keep your hands, hair, etc., away from movable parts (such as the rollers and carriage).
- Each important point to note when loading media is described in a troubleshooting style. For more information, refer to "Unable to load the media properly" below.

If loading manually

Note

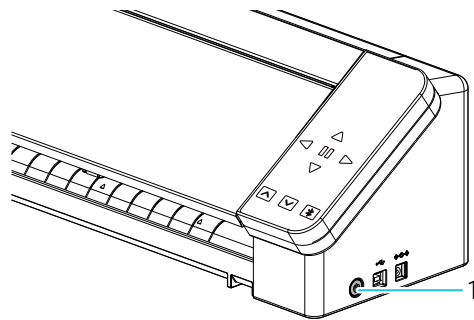
Be sure to use the cutting mat when cutting media that are out of standard sizes. Otherwise, it may damage the machine and the blade.

Additional information

Depending on the media type and condition, if the media tend to warp or incline when using "If loading manually", load the media using "If loading automatically" instead.

1

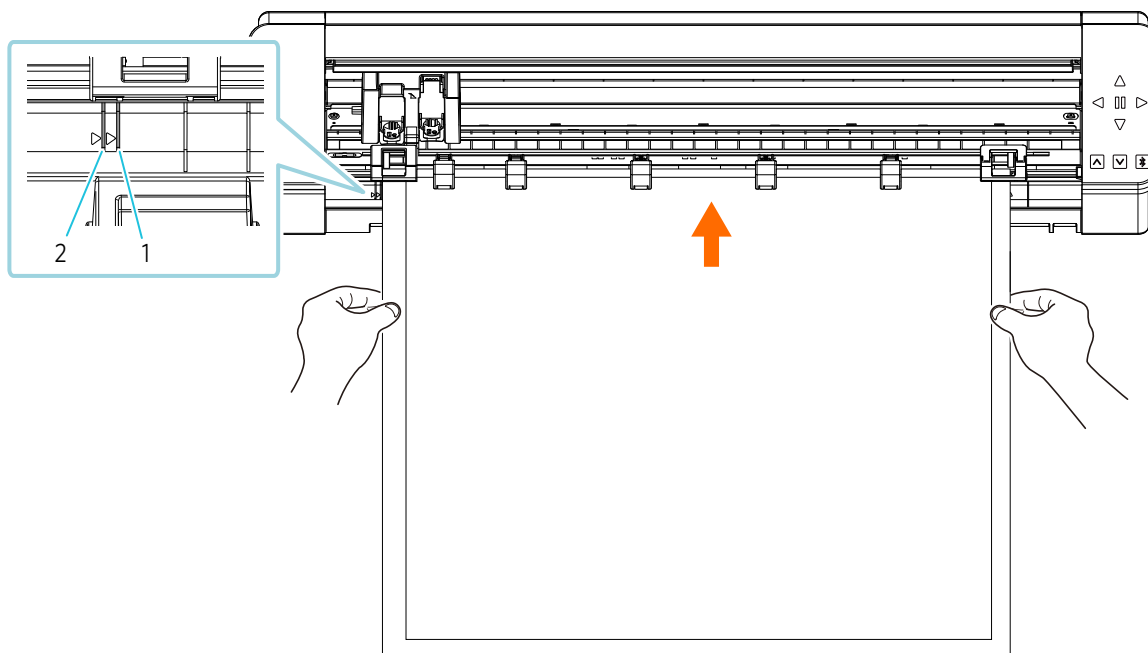
Press and hold the Power Button for at least two seconds to start Silhouette CAMEO PRO MK-II.



1. Power Button

2

Align the left edge of the media with the Guiding Line on the front panel.

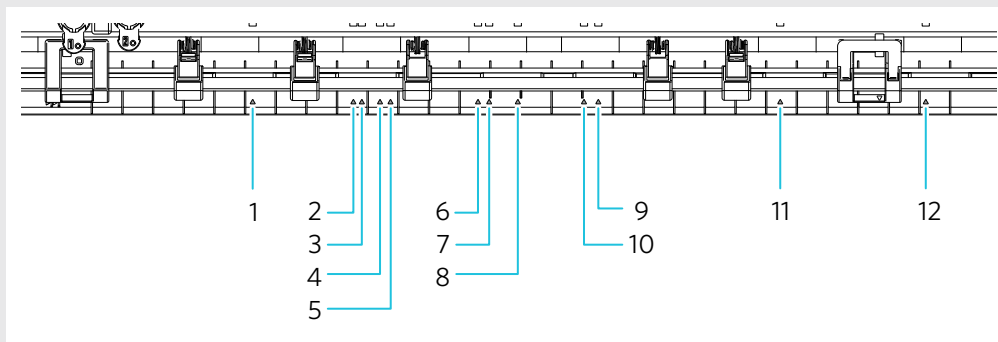


1. Guiding Line (other than the 24 inch-cutting mat)
2. Guiding Line (24 inch-cutting mat)

Additional information

"▲" symbols are engraved on the front panel for each media size.

Align the "▲" symbol of the Pinch Roller Unit with the "▲" symbol on the front panel, and secure the Pinch Roller Unit.

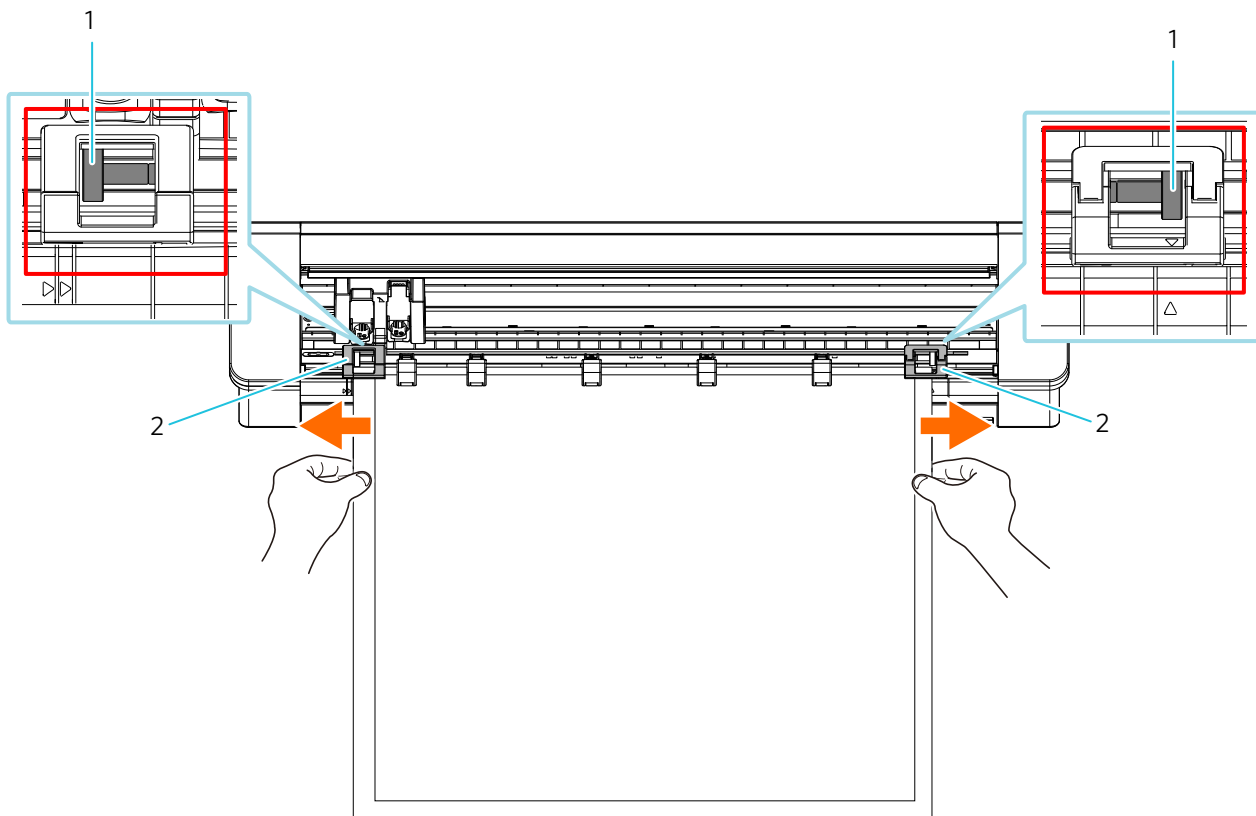


1. 5 in.
2. A4
3. Letter
4. 9 in.
5. 8.5-inch cutting mat
6. A3
7. 12 in.
8. 12-inch cutting mat
9. 15-inch cutting mat
10. 15 in.
11. 20 in.
12. 24 in., 24 inch-cutting mat

- 3 Butt the leading end of the media against the Pinch Rollers at the bottom of the rail and load it straight.

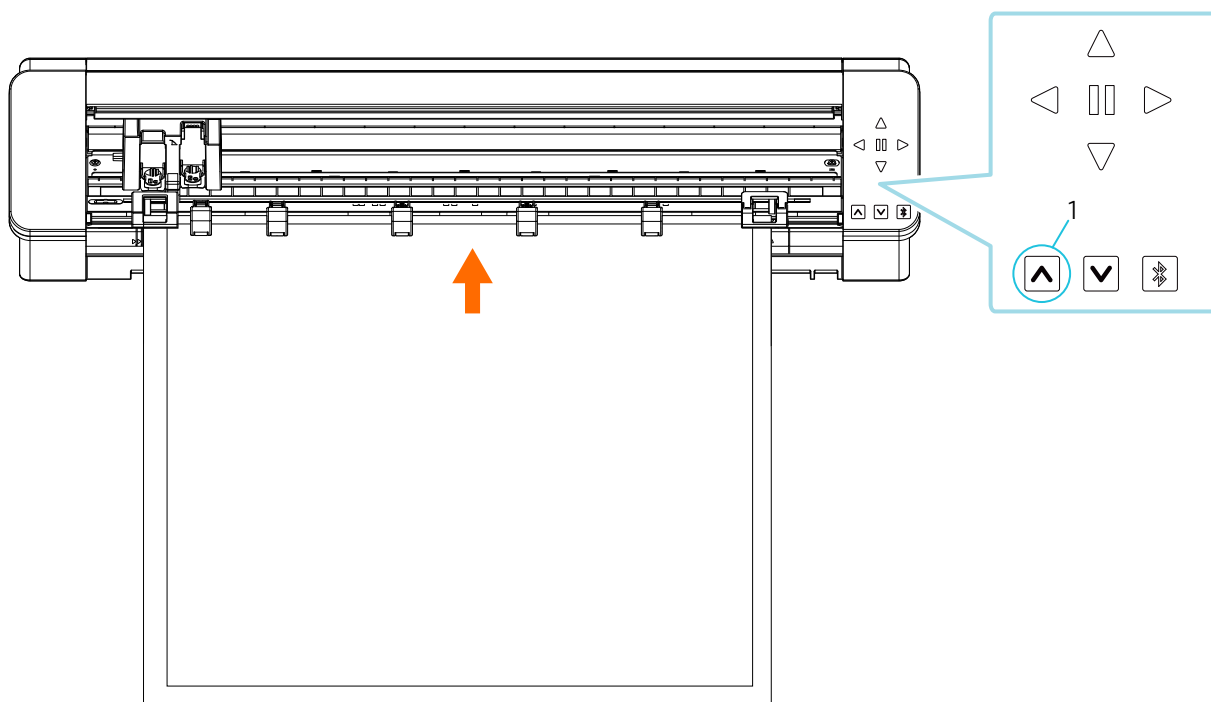
⚠ Note

When loading the media, pull it to the left and right with both hands to set them taut.



1. Pinch Roller
2. Pinch Roller Unit

- 4 Press the Media Load Button to start feeding paper.



1. Press the Media Load Button

Note

Each important point to note when loading media is described in troubleshooting. For more information, refer to "[Unable to load the media properly](#)" below.

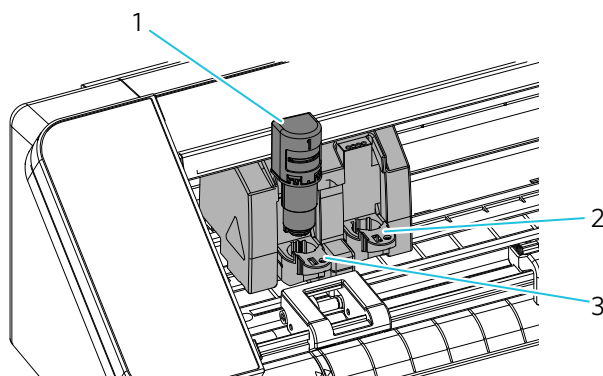
Setting the AutoBlade

Note

To avoid bodily injury, handle cutter blades with care.

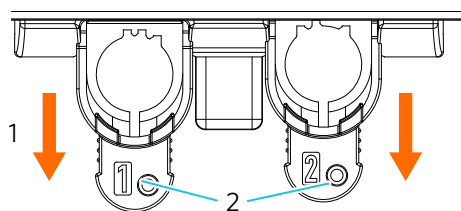
You can use tools by setting them on the Tool Holder of Silhouette CAMEO PRO MK-II.

The tools that can be set are tools marked with the number "1" on them and tool adapters.



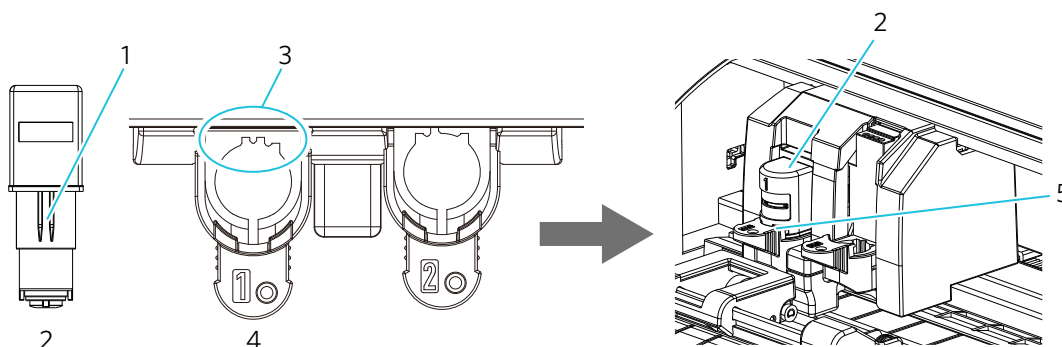
1. Tool (AutoBlade)
2. Tool Holder 1
3. Tool Holder 2

- 1** Slowly pull the lock lever of the Tool Holder toward you to unlock it.



1. Unlock
2. Lock Lever

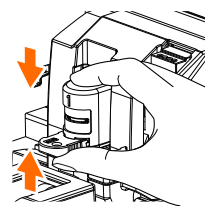
- 2** Align the rib of the tool (AutoBlade) with the notch of the Tool Holder and insert it firmly.



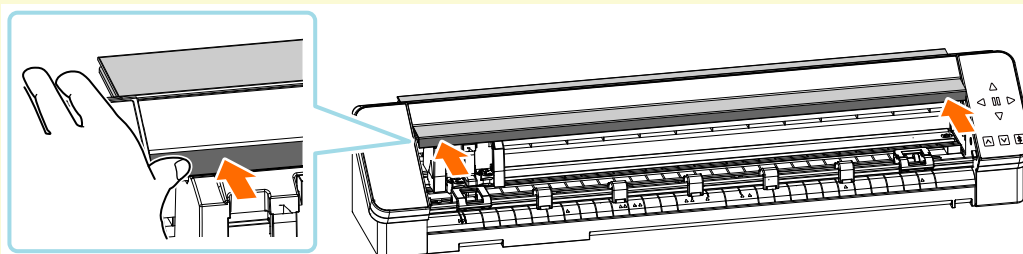
1. Rib
2. Tool (AutoBlade)
3. Align with the notch
4. Tool Holder
5. Set it all the way so that there is no gap between the media and the top of the Tool Holder.

⚠ Note

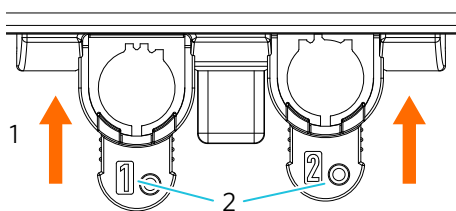
- When inserting the AutoBlade, hold the lock lever so that it is supported from the bottom, and insert the AutoBlade until the very bottom. Note that inserting the tool without holding the Tool Holder may damage the blade.



- If opening the top cover (lid), push it as far as it will go with both hands until you feel a click.



- 3** Lock the lock lever back.



1. Lock
2. Lock Lever

Additional information

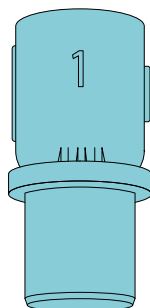
Insert the tool all the way and then lock it.
If it is not inserted all the way, the media may not be cut properly.

- 4** After setting the tool, Silhouette CAMEO PRO MK-II recognizes the tool and automatically displays the tool in the "SEND" tab of Silhouette Studio.

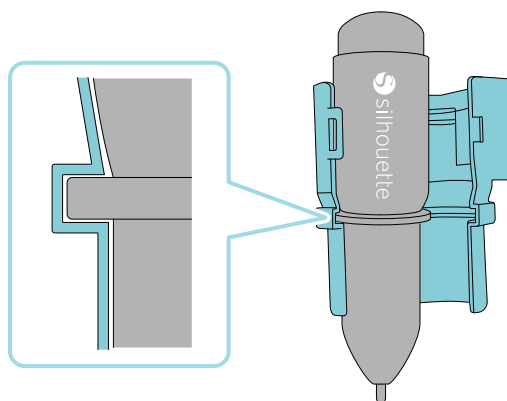
Silhouette sketch adapter

When using the dedicated Silhouette water-based ballpoint pen (SILH-PEN-START-3T-B), attach the included Silhouette sketch adapter.

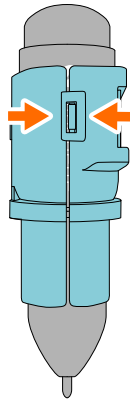
- 1** Prepare a Silhouette sketch adapter.



- 2** Match the convex position of the dedicated Silhouette water-based ballpoint pen with the concaves of the Silhouette sketch adapter.



- 3 Firmly close the dedicated Silhouette water-based ballpoint pen with the Silhouette sketch adapter.



Additional information

The included Silhouette sketch adapter can only be loaded on Tool Holder 1 (left side).

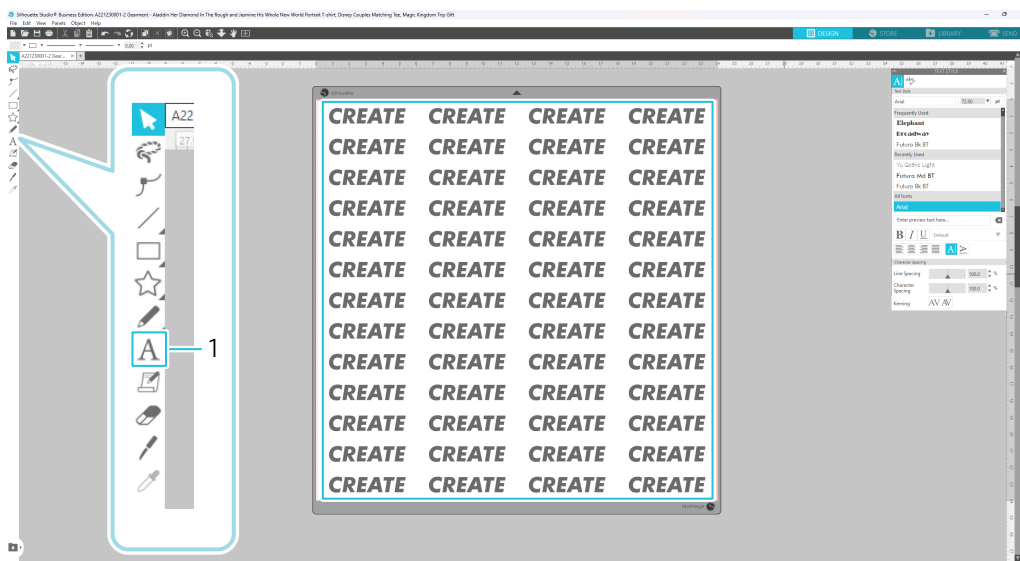
Workflow from simple designing to cutting

This section describes the steps for using Silhouette Studio to create cutting data from simple figures and texts and to cut the media.

Creating cutting data using figures and texts

Use the drawing tools of Silhouette Studio (such as lines, ellipses, rectangles, polygons, curves, and texts) to create cutting data. The tools are displayed in the toolbar on the left side of the screen.

- 1 Use "Drawing Tool" on the left to draw a figure.
- 2 Use "Text Tool" on the left to write text.

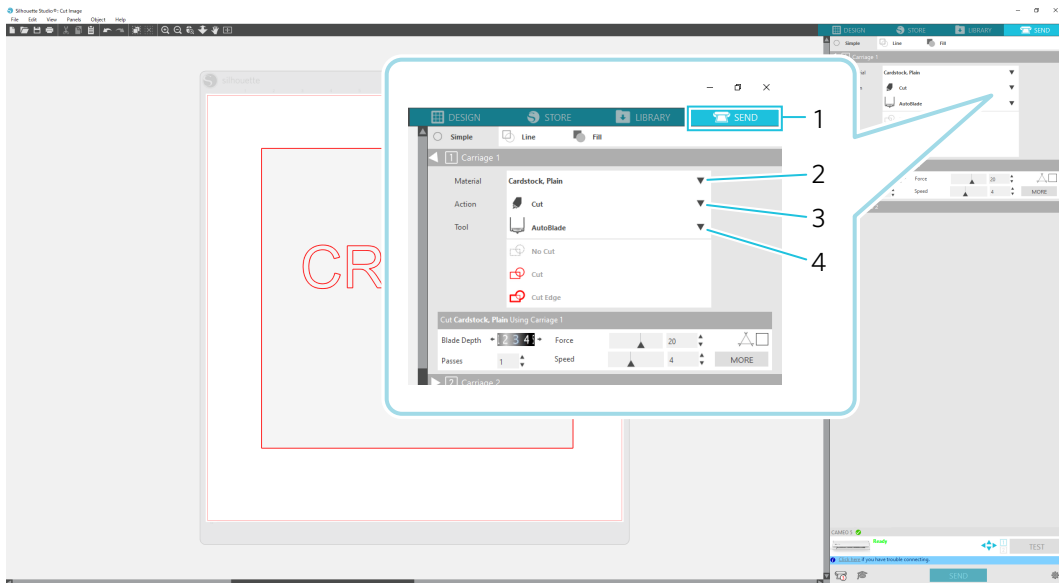


1. Text Tool

Cutting created data

Cut the created data using Silhouette CAMEO PRO MK-II.

- 1 Load the media onto Silhouette CAMEO PRO MK-II.
- 2 Click the "SEND" tab on the top right of the Silhouette Studio screen. The "Cut Setting Panel" is displayed. From the pull-down list of cutting conditions, select the cutting conditions, action, and tool according to the media to use.



1. SEND tab
2. Cutting conditions
3. Action
4. Tool

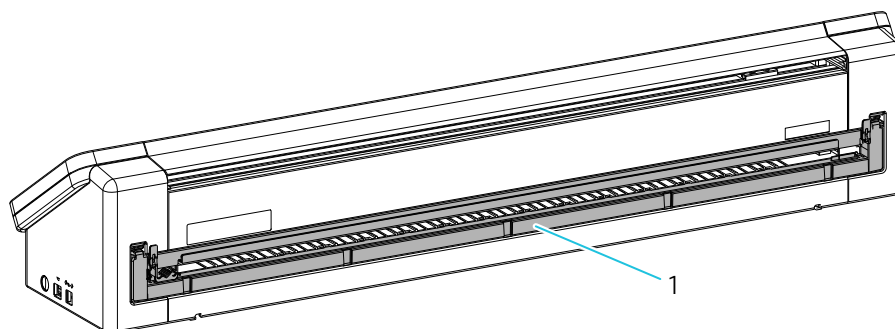
- 3 Press the "SEND" button. Cutting the media starts.

Important

- If you want to pause cutting, press the "Pause" button to suspend the operation. To restart the operation, press the "Pause" button again.
- If you want to stop the cutting process immediately, press the Power Button once to activate the emergency stop. This removes any job that is in progress. Press the Media Removal Button (flashing) to return Tool Carriage to the home position.

About Crosscutter use

The Silhouette CAMEO PRO MK-II has a built-in Crosscutter Unit. The Crosscutter Unit is used to trim roll type and long media.

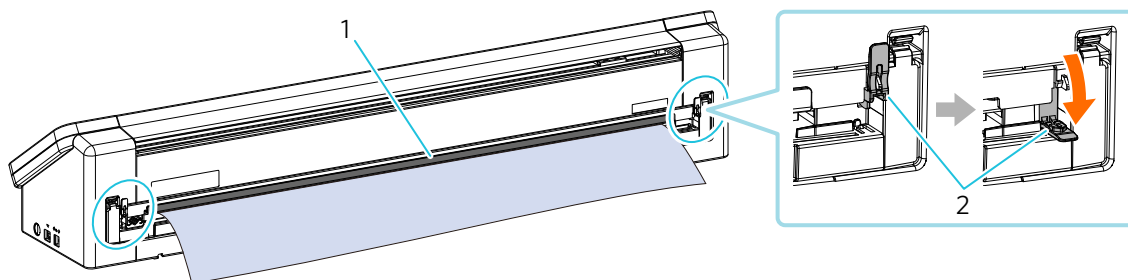


1. Crosscutter Unit

Additional information

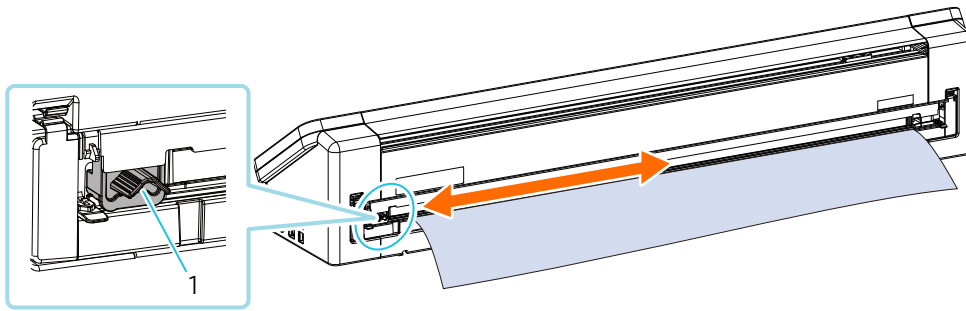
When cross-cutting, adjust the media cut position beforehand.
Press and hold down the position key to feed the media faster.

- 1 Release the 2 lock levers on the back of the machine and pull down the media until the cross-cutting rail clicks and locks into place.



1. Cross-cutting rail
2. Lock Lever

- 2** Slide the Crosscutter blade following the grooves.
Cross-cutting can be performed from either left or right side.



1. Crosscutter blade

- 3** After cross-cutting is finished, raise the Crosscutter rail and lock both lock levers until it clicks.

⚠ Note

- If cutting is performed while the Crosscutter rail is lowered, it will not be possible for the media to be fed to the back, causing the media to become stuck.
- When cross-cutting is finished, always raise the Crosscutter rail. If cutting is performed while the Crosscutter rail is lowered, it will cause the cutting to become misaligned or media to become stuck.

Basic workflow of printing and cutting

This section describes steps for using Silhouette Studio up to printing and cutting.

There are the following three ways to create cut lines (contour lines).

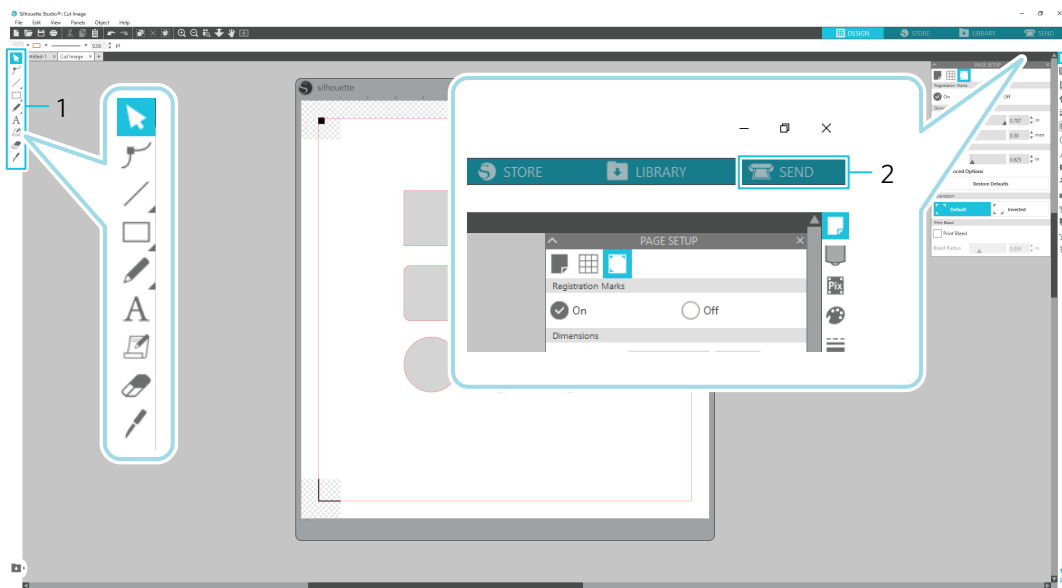
Using the Drawing Tool to create cut lines

- 1** Use "Drawing Tool" on the left to draw figures.
- 2** On the Page Setup Panel, select the "Registration Marks" tab and set the thickness and length of the registration marks.
- 3** Print the design data.

4

Cut the printed media.

Click the "SEND" tab on the top right of the Silhouette Studio screen.



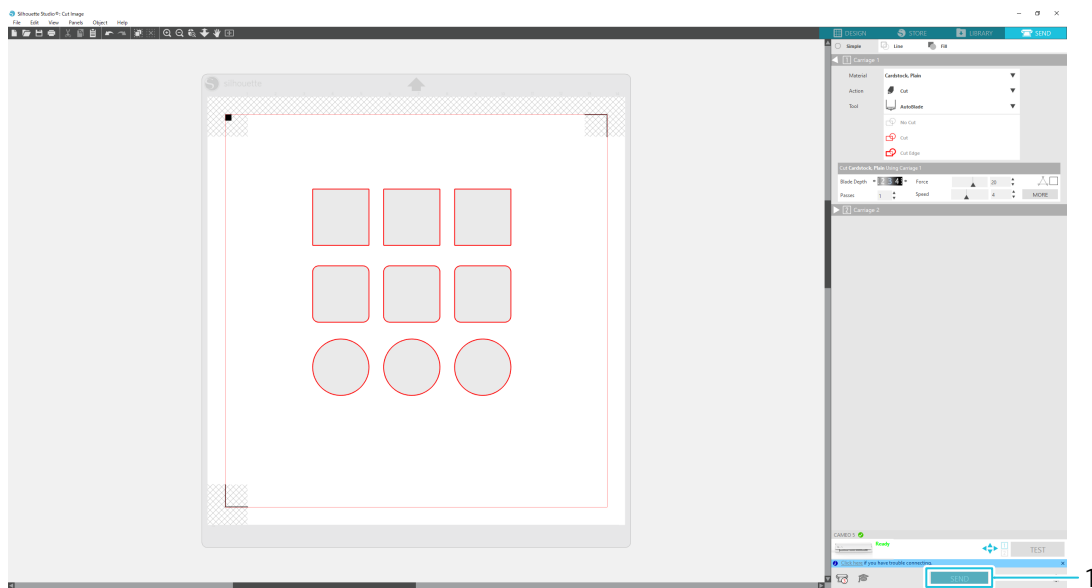
1. Drawing Tool
2. SEND tab

! Note

<How to add registration marks (alignment marks)>

- Do not place your design in the shaded area. It may cause registration mark scanning errors.
- If the registration marks are too small, the scanning may fail.
- Arrange the registration marks after setting the cutting mat and then print them with the printer.
- Do not change the registration marks or design after printing. The cutting position will shift.

- 5** The cut lines are displayed. Press the "SEND" button.
It starts detecting the registration marks and then cutting once all marks are detected.



1. SEND button

Using the auto trace function

Select the "Auto trace" check box of the PNG file on the "Import" tab on the Preferences menu to create cut lines automatically when loading images.

- 1** From the "Edit" menu, select "Preferences".
- 2** Select the "IMPORT" tab.
- 3** Select the "Auto trace" check box under the PNG file.
- 4** Go to "File" and select "Insert".
- 5** Select the image you want to cut and press "OK".

- 6** Press the "SEND" button and start cutting after the cut lines are displayed.



Additional information

The auto trace function may not be available depending on the way the image is created. In such a case, trace the image using the steps described in "[Loading and tracing an image file](#)".

Loading and tracing an image file

Create cut lines using the image that you want to cut. Use the trace function to create cut lines around the image.

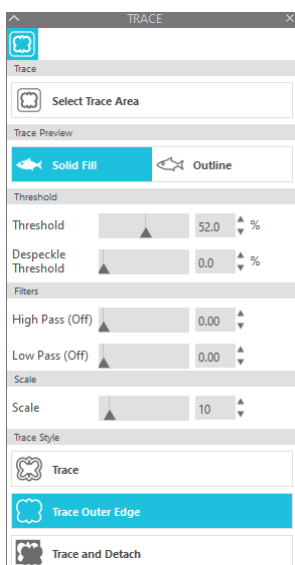
- 1** On the "File" menu, select "Insert".
- 2** Select the image you want to cut and press "OK".
- 3** From "Panel Display", select the "Trace" panel to display the "Trace" settings screen. Click "Select Trace Area" and drag the area around the image to select it. The inside of the image is painted yellow. The part painted yellow is traced, and cut lines are created around it.

4 Under "Trace Preview", select "Solid Fill" or "Outline".

Adjust the threshold value.

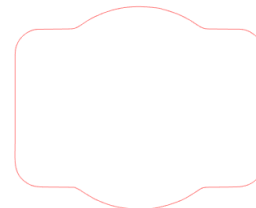
To create cut lines around the whole image, select "Trace".

To create cut lines only on the outer edge, select "Trace Outer Edge".



<When Trace is selected>

<When Trace Outer Edge is selected>



Additional information

- If you use a low contrast image, the image may not be traced clearly.
- To trace the image and create items such as labels, select "Trace Outer Edge".

03 Troubleshooting

This chapter describes what to do if problems occur with Silhouette CAMEO PRO MK-II.

Please visit our website for information regarding issues and solutions other than those below.

<https://www.silhouetteamerica.com>

In these cases		Check	Reference page
About media	Does not enter properly, and they bend and warp	If you are using rolled media, does the leading end tend to curl itself?	page 73
	Slips out of the Pinch Roller	Is the leading end of the media butted against the Pinch Rollers on both sides and loaded straight?	page 75
	Media getting stuck	Are you loading the media in Silhouette CAMEO PRO MK-II using the cutting mat?	page 80
		Are the media you are using too thick?	page 80
	Moves obliquely in the machine during cutting	Are the media or the left side of the cutting mat aligned with the Guiding Line?	page 74
		Is the Pinch Roller Unit aligned with the media and set to the appropriate printing position?	page 74
		Are the leading end of the media cut at a right angle?	page 75
About cutting	The media are cut too much	Is the cutter blade sticking out too much, or is the force too high?	page 79
	The film peels off	Are the tools set correctly?	page 76
		Is the blade tip cap of the AutoBlade loose?	page 77
		Is the blade worn, or is the cutting tip broken?	page 77
		Is the blade depth too small, or is the force set too low?	page 78
		Is the cutter blade sticking out too much, or is the force too high? Is the speed (cutting speed) too fast?	page 78
		Is the width of characters or figures to be cut too thin or too small?	page 78
	The start and end are misaligned	Is the inside of the AutoBlade dirty?	page 79
		Are the set media warping or bent?	page 79
		Do the Silhouette Studio settings and actual settings match?	page 79
		Is the cutter blade sticking out too much, or is the force too high?	page 79

Unable to load the media properly

If the media cannot be loaded properly, check the following causes and solutions.

The media does not enter properly, and they bend and warp

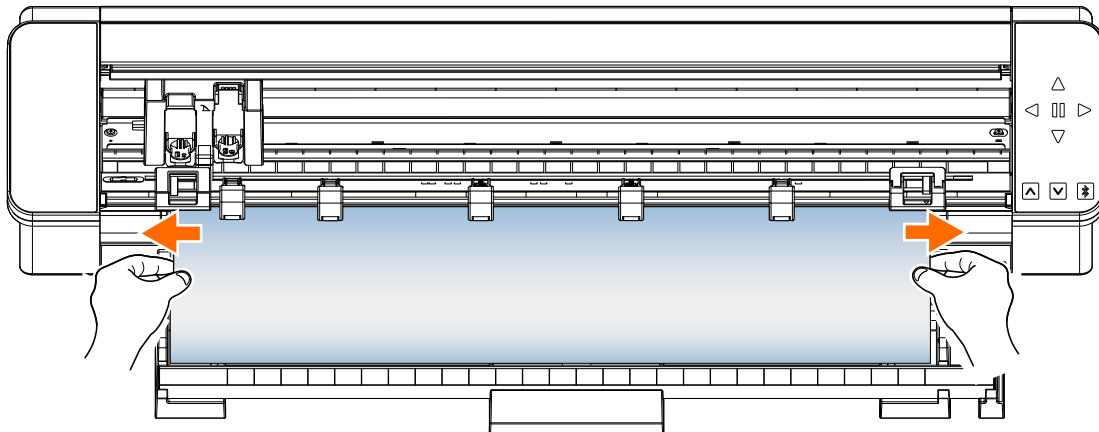
If you are using rolled media, does the leading end tend to curl itself?

- If the leading end of the media tends to curl itself, it may be loaded with the media being warped, or the media may not enter properly into the machine, which may cause the machine to be idle. Straighten the curled section and load it straight.

If the media cannot be loaded properly, paste them on the cutting mat before loading.

- When loading the media, pull the media taut on the left and right sides with both hands to set.
- Move and set the Auxiliary Roller(s) onto the position where the media warp.

For more information, refer to "[Cutting with an AutoBlade](#)" above.



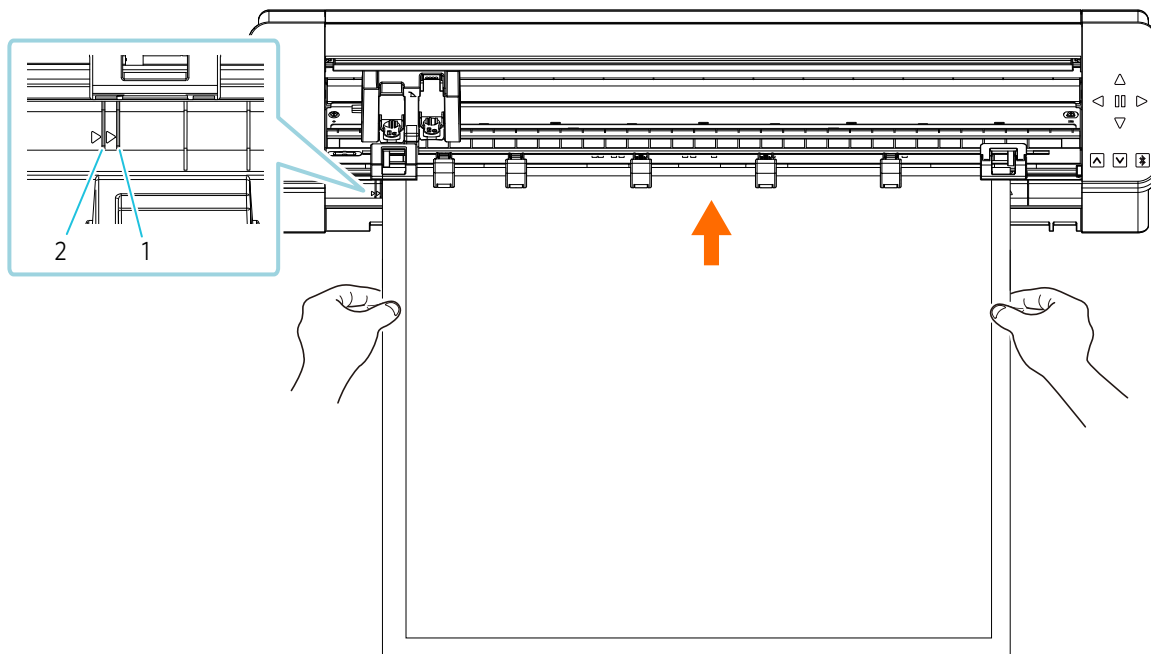
Unable to feed the media properly

If the media cannot be fed into the machine properly (for example, they slip out of the roller during cutting), check the following causes and solutions.

The media move obliquely in the machine during cutting

Are the media or the left side of the cutting mat aligned with the Guiding Line?

- Align the left side of the media with the Guiding Line when loading.



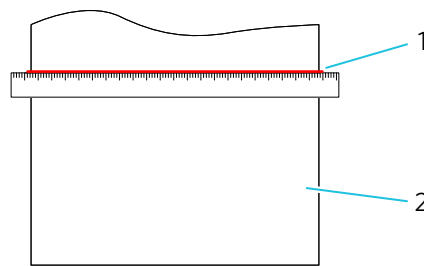
1. Guiding Line (other than the 24 inch-cutting mat)
2. Guiding Line (24 inch-cutting mat)

Is the Pinch Roller Unit aligned with the media and set to the appropriate printing position?

- Move the Pinch Roller Unit to the left and right, and check that it is set to the appropriate Guiding Line according to the media size.

Are the leading end of the media cut at a right angle?

- Place a ruler against the media, and cut the leading end straight and at a right angle using a cutter knife or similar tool.

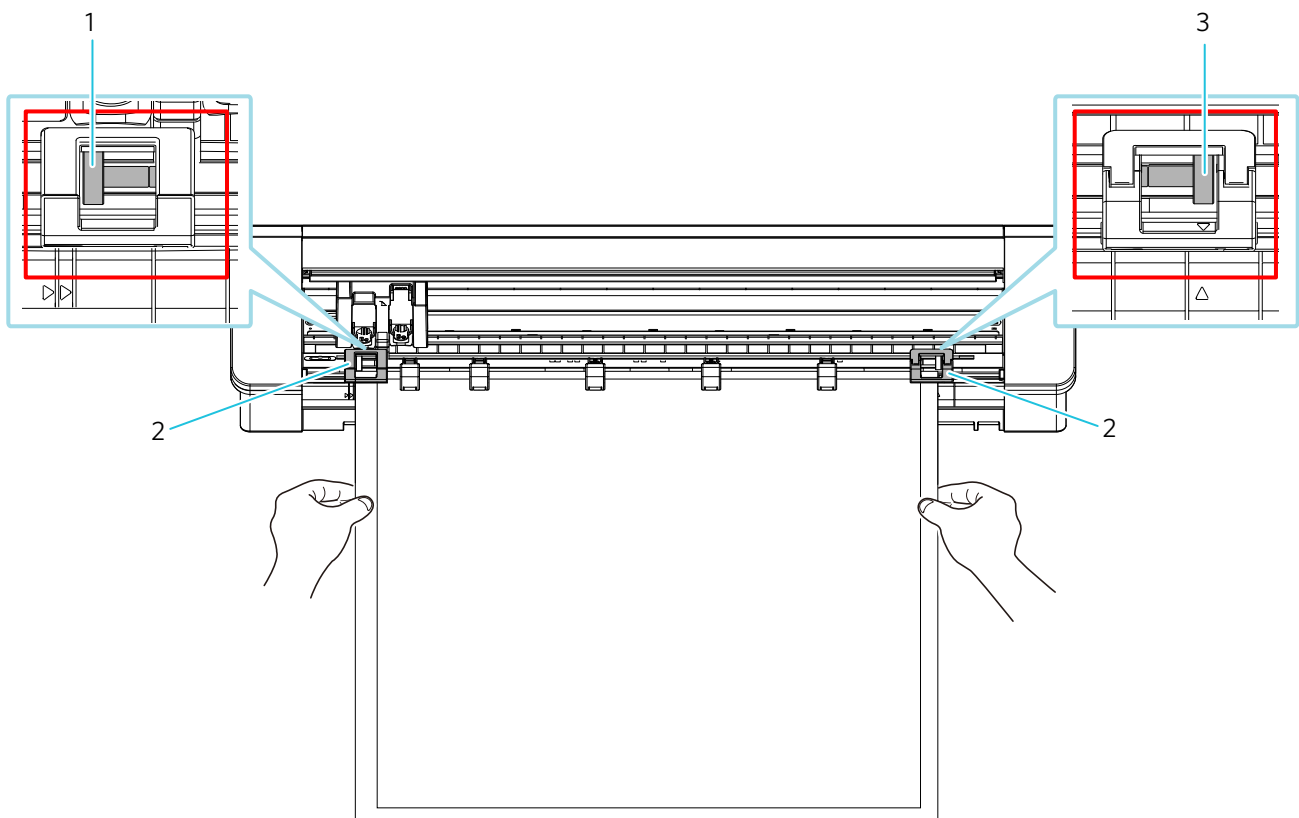


- Cut at a right angle or straight
- Media

The media slip out of the Pinch Roller

Is the leading end of the media butted against the Pinch Rollers on both sides and loaded straight?

- Check the following points to ensure that the media are loaded straight correctly.
- Butt the leading end of the media against the Pinch Rollers on both sides.
- Hold the media so they do not move until the machine starts feeding.



- Pinch Roller: Hold the paper here and feed it into the machine.
- Pinch Roller Unit
- Pinch Roller: Hold the paper here and feed it into the machine.

Unable to cut properly

If the media, such as paper or film, peel off during cutting, or if you are unable to cut them properly, check the following causes and solutions.

The film peels off during cutting

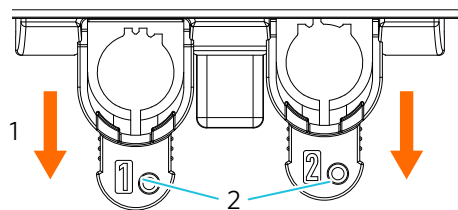
Are the tools set correctly?

- Make sure that the tools are firmly set all the way into the Tool Holder.

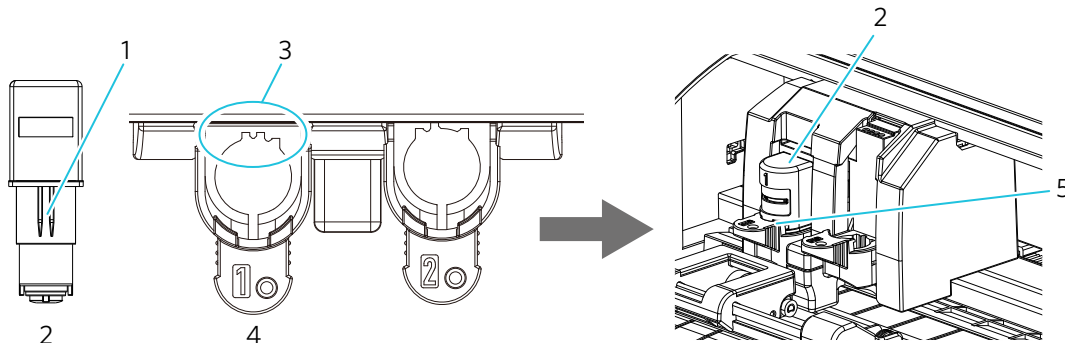
Additional information

Insert the tool all the way and then lock it.

If it is not inserted all the way, the media may not be cut properly.



- Unlock
- Lock Lever

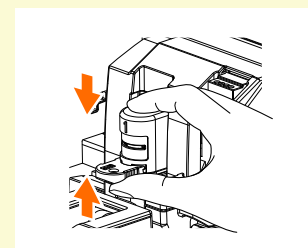


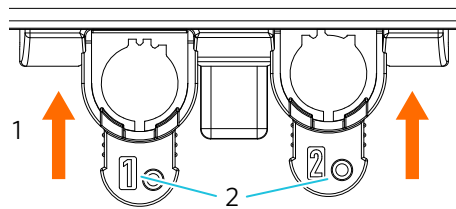
- Rib
- Align with the notch
- Tool (AutoBlade)
- Tool Holder
- Set it all the way so that there is no gap between the media and the top of the Tool Holder.

Note

When inserting the AutoBlade, hold the lock lever so that it is supported from the bottom, and insert the AutoBlade until the very bottom.

Note that inserting the tool without holding the Tool Holder may damage the blade.





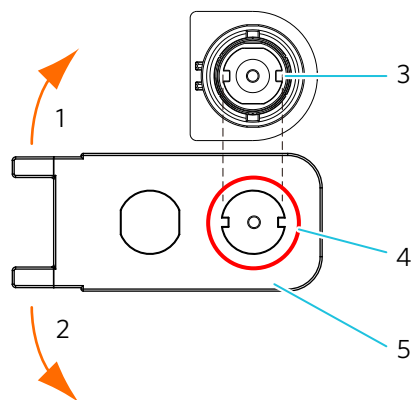
1. Lock
2. Lock Lever

Is the blade tip cap of the AutoBlade loose?

- If the blade tip cap of the AutoBlade is loose, use the hand-held blade adjuster to retighten it.

Note

To avoid bodily injury, handle blades with care.



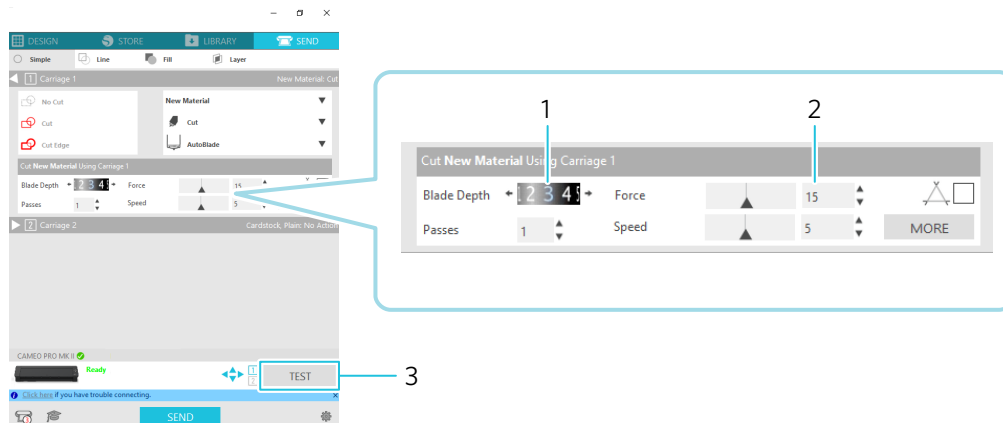
1. Tighten
2. Loosen
3. Blade tip cap
4. Set the AutoBlade by aligning the concave part of the AutoBlade tip cap with the hand-held blade adjuster.
5. Hand-held blade adjuster

Is the blade worn, or is the cutting tip broken?

- Replace it with a new AutoBlade.
- When the blade wears out, the media that could be cut until now may suddenly no longer be cut.
As a guideline, the service life is about 4 km for vinyl chloride media (cutting film) and about 2 km for paper media, such as drawing paper, postcards, and Kent paper.

Is the blade depth too small, or is the force set too low?

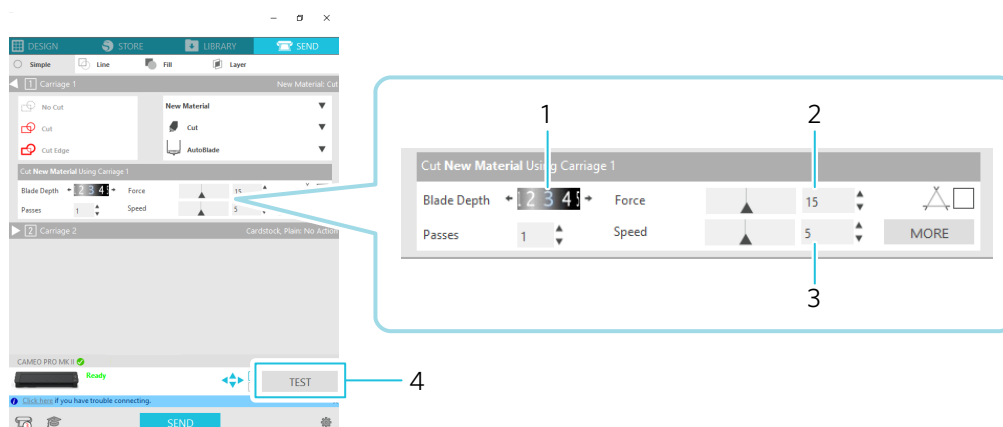
- Gradually increase the blade depth and force on Silhouette Studio and perform a test cut.



- Blade Depth setting
- Force setting
- Test cut

Is the cutter blade sticking out too much, or is the force too high? Is the speed (cutting speed) too fast?

- Set the blade depth, force, and speed to smaller values in Silhouette Studio and perform a test cut.



- Blade Depth setting
- Force setting
- Speed (cutting speed) setting
- Test cut

Is the width of characters or figures to be cut too thin or too small?

- Use a bold typeface or make the figure larger.

The approximate size of characters that can be cut with the Silhouette CAMEO PRO MK-II is about 10 mm square for alphanumeric characters and about 15 mm square for MS Gothic double-byte characters when using a cutting film with tension on the material, such as vinyl chloride.

The approximate size of the shape that can be cut is about 5 mm in diameter.

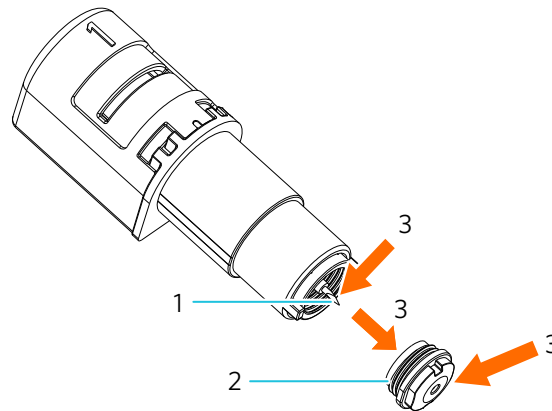
Additional information

Depending on the media to be cut, they may not be cut well even if they are larger than this size. Please be aware of this.

The start and end of the cutting operation are misaligned

Is the inside of the AutoBlade dirty?

- Remove the blade tip cap of the AutoBlade and clean it.



- Tip
- Blade tip cap
- Cleaning

Are the set media warping or bent?

- If the center of the media is warping or bent, refer to "[Cutting with an AutoBlade](#)" to load the media and fix it.

Do the Silhouette Studio settings and actual settings match?

- Are you selecting a pen even though you are using an AutoBlade, or vice versa?

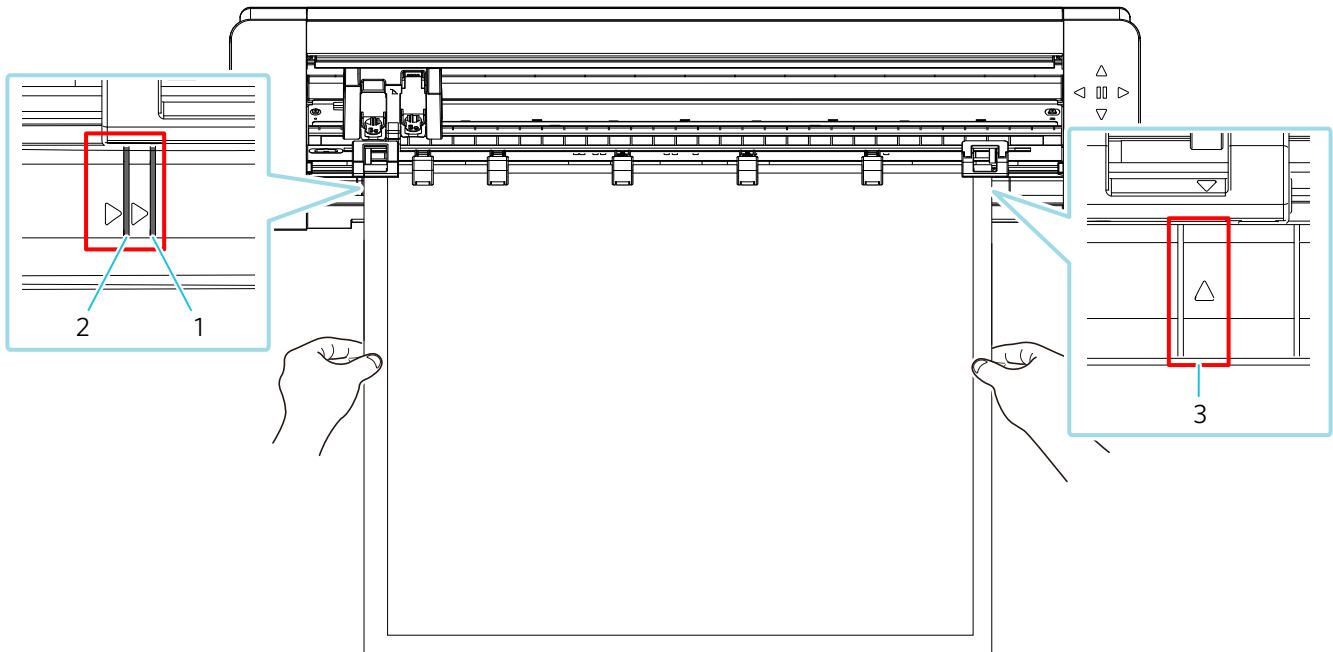
Is the cutter blade sticking out too much, or is the force too high?

- In Silhouette Studio, set the blade depth and force to a smaller value and perform a test cut.

When media are stuck

Are you loading the media in Silhouette CAMEO PRO MK-II using the cutting mat?

- Be sure to use the cutting mat when cutting paper or similar media.



- Guiding Line (other than the 24 inch-cutting mat)
- Guiding Line (24 inch-cutting mat)
- If you are using the 24-inch cutting mat, align it with this Guiding Line and load it.

Note

If you cut without using the cutting mat, the blade may penetrate the paper and damage the machine, or the blade tip may break.
The cut paper may also peel off and get stuck in the blade.

Are the media you are using too thick?

- Change the media to those with good thickness supported by Silhouette CAMEO PRO MK-II.

■ Size of the media that can be cut:

Film : Thickness of 0.1 mm or less (excluding high-intensity reflective film)

Paper : Kent paper 157 g/m², drawing paper*¹, postcard*¹, scrapbook paper*¹, ink-jet font paper*¹, Bazzill paper*¹, and thick paper up to 0.5-mm thick *¹

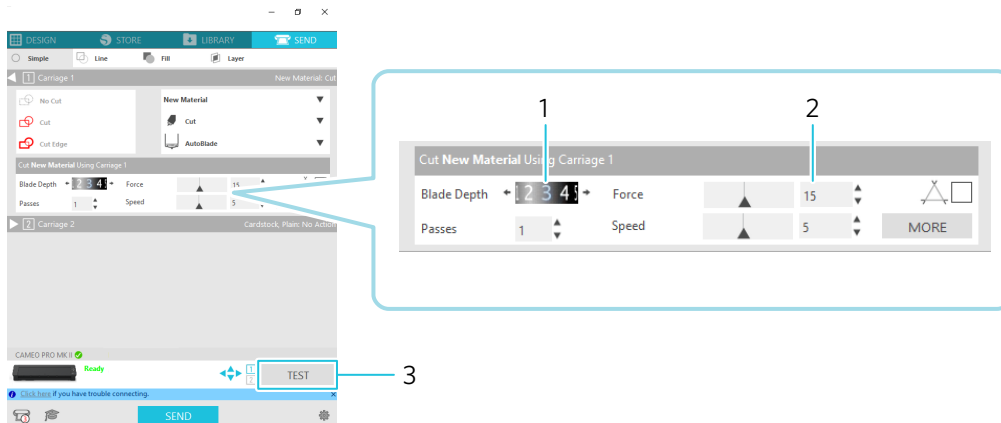
*¹: Some materials cannot be cut depending on the media.

Other : Fabric, synthetic leather

The media are cut too much

Is the cutter blade sticking out too much, or is the force too high?

- In Silhouette Studio, set the blade depth and force to a smaller value and perform a test cut.



1. Blade Depth setting
2. Force setting
3. Test cut

Firmware update

The firmware is a control program that is built into the hardware.

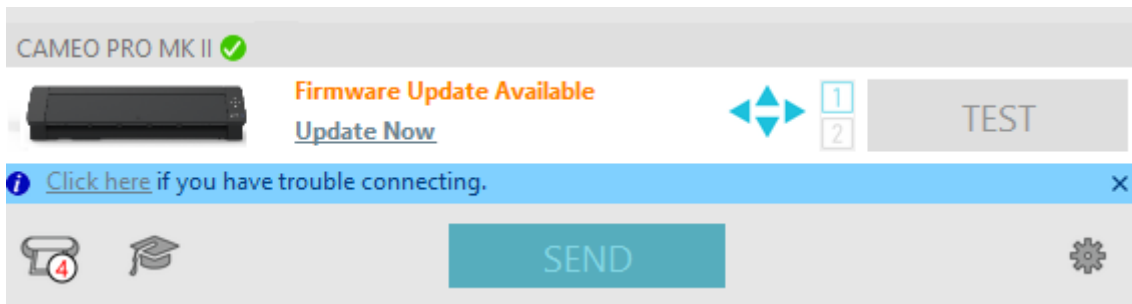
Firmware update requires Silhouette Studio.

If a message for firmware update is displayed in the "SEND" panel of Silhouette Studio, follow the steps below to update it.

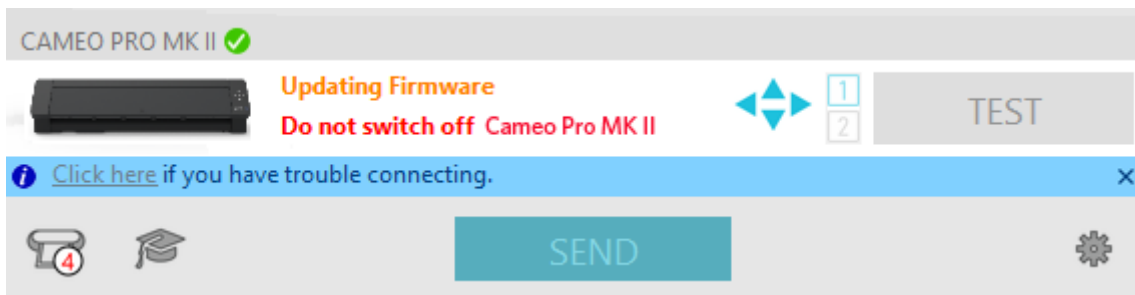
Note

Do not turn off Silhouette CAMEO PRO MK-II while updating the firmware.

- 1 Connect Silhouette CAMEO PRO MK-II to the computer with a Bluetooth or USB cable.
- 2 Start Silhouette Studio and open the "SEND" tab.
If there is the latest version of the firmware available for update, the following message will be displayed. Click "Update Now" to start updating the firmware.



The following message appears during the firmware update.



Note

It may take 5 to 10 minutes to update the firmware.

Information

Notes on this Manual

- (1) No part of this publication may be reproduced, stored in a retrieval system, or transmitted, in any form or by any means, without the prior written permission of Silhouette Japan Corporation.
- (2) The product specifications and other information in this manual are subject to change without notice.
- (3) While every effort has been made to provide complete and accurate information, please contact us through the company website if you find any unclear or erroneous information or wish to make other comments or suggestions.
- (4) Notwithstanding the stipulations in the preceding paragraph, Silhouette Japan Corporation assumes no liability for damages resulting from the use of the information contained herein or the use of the product.

Registered Trademarks

All names of companies, brands, logotypes, and products appearing in this manual are the trademarks or registered trademarks of their respective companies.

Copyright

This User's Manual is copyrighted by Silhouette America, Inc.

Specifications are subject to change without notice.

Silhouette CAMEO PRO MK-II User's Manual
MANUAL NO. CAMEO PRO MK-II-UM-151
August 30, 2024 1st edition-01

www.silhouetteamerica.com
©2024 Silhouette America, Inc.
618 N 2000 W Lindon, UT 84042



silhouette